



ZF-YJ61 系列 罩极电机

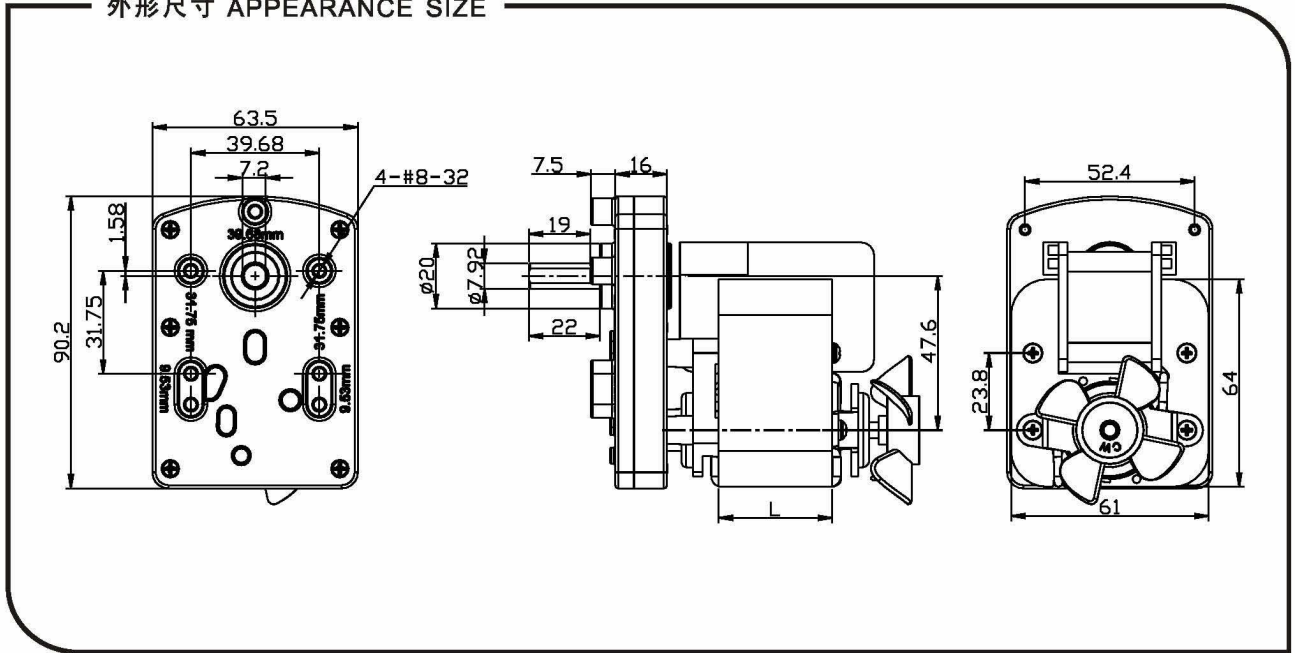
Series SHADE POLE MOTOR

AC GEARED MOTOR

输出功率/OUTPUT POWER: 1.0~15W(APPROX) 重量/WEIGHT: 500~600g(APPROX)

用途/Typical applications: 焊机、垃圾处理器、咖啡机、印刷机、稳压机、碎纸机、输卡机、中央空调阀门、办公设备、家用设备、执行器
Central ari-conditioning valve, Amusement equipment, Coinrefund devices, Grill, Oven, Peristaltic pumps, ATM bank automatic system, Robot, Medical equipment, Office equipment, Household appliances, Automatic actuator.

外形尺寸 APPEARANCE SIZE



减速电机扭矩/转速 GEARED MOTOR TORQUE/SPEED

减速比 Reduction ratio	$\frac{1}{36}$	$\frac{1}{66}$	$\frac{1}{94}$	$\frac{1}{129}$	$\frac{1}{139}$	$\frac{1}{155}$	$\frac{1}{196}$	$\frac{1}{219}$	$\frac{1}{277}$	$\frac{1}{322}$	$\frac{1}{392}$	$\frac{1}{555}$	$\frac{1}{833}$
齿轮级数 Numberofgeartrans	3			4						5			
额定转速 Ratedspeed (rpm) at60Hz	77.7	42.4	29.7	21.7	20.1	18.0	14.2	12.7	10.1	8.7	7.1	5.0	3.3
ZF-YJ61-16 L=16 (kgf.cm) 额定扭矩 Rated torque	3.68	6.74	9.60	11.7	12.6	14.1	17.8	19.9	25.2	26.6	32.3	45.8	68.8
ZF-YJ61-26 L=26 (kgf.cm) 额定扭矩 Rated torque	5.78	10.6	15.1	18.4	19.8	22.1	28.0	31.3	39.6	41.8	50.0	72.0	80.0
ZF-YJ61-30 L=30 (kgf.cm) 额定扭矩 Rated torque	7.36	13.5	19.2	23.5	25.3	28.2	35.6	29.8	50.4	36.3	64.7	80.0	80.0
ZF-YJ61-35 L=35 (kgf.cm) 额定扭矩 Rated torque	9.20	16.8	24.0	29.3	31.6	35.2	44.6	49.8	63.0	66.5	80.0	80.0	80.0
ZF-YJ61-40 L=40 (kgf.cm) 额定扭矩 Rated torque	10.5	19.3	27.4	33.5	36.1	40.3	50.9	56.9	72.0	76.0	80.0	80.0	80.0
ZF-YJ61-50 L=50 (kgf.cm) 额定扭矩 Rated torque	13.6	25.0	35.7	43.6	46.9	52.4	66.2	74.0	80.0	80.0	80.0	80.0	80.0

注意 Note:	电压可以根据客户要求来做 Voltage can make as customers' request .
外形包装尺寸 Packing Details	CTN size: 55X35XH18cm 24pcs/CTN N.W.16kgs