



RF-YJ61 系列 罩极电机

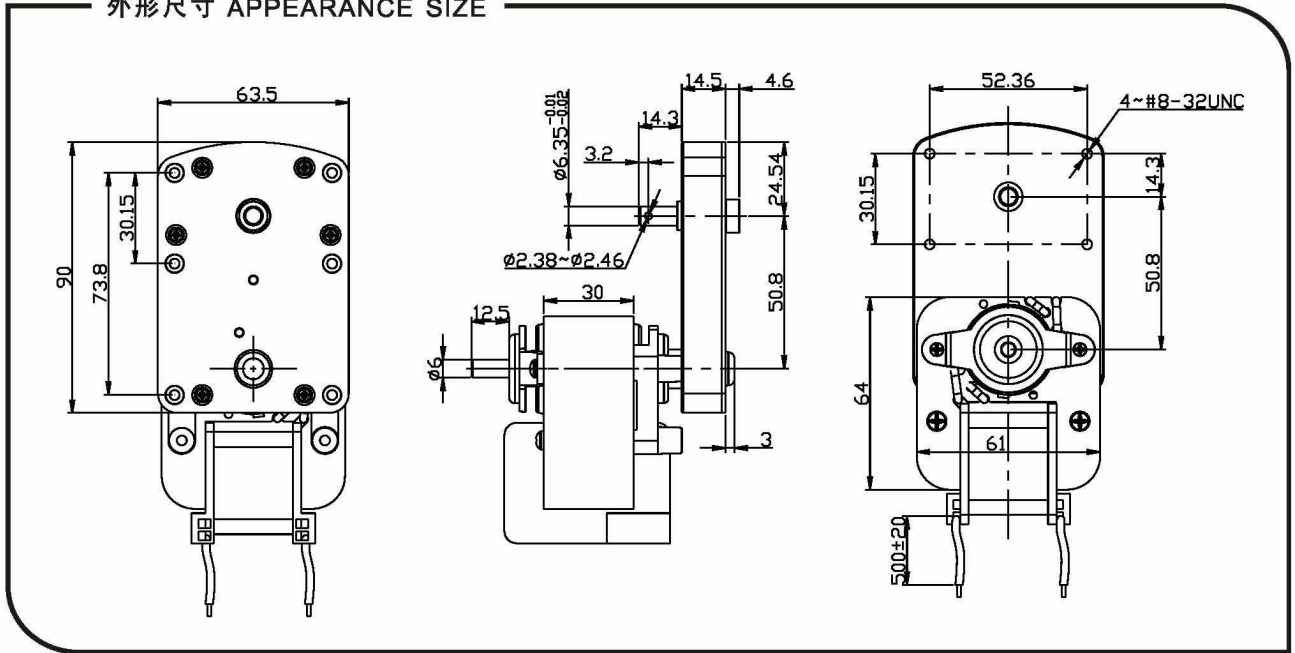
Series SHADE POLE MOTOR

AC GEARED MOTOR

输出功率/OUTPUT POWER: 1.0~15W(APPROX) 重量/WEIGHT: 1000~1500g(APPROX)

用途/Typical applications: 焊机、垃圾处理器、咖啡机、印刷机、稳压机、碎纸机、
输卡机、中央空调阀门、办公设备、家用设备、执行器
Central ari-conditioning valve, Amusement equipment,
Coinrefund devices, Grill, Oven, Peristaltic pumps, ATM
bank automatic system, Robot, Medical equipment, Office
equipment, Household appliances, Automatic actuator.

外形尺寸 APPEARANCE SIZE



减速电机扭矩/转速 GEARED MOTOR TORQUE/SPEED

减速比 Reduction ratio	$\frac{1}{36}$	$\frac{1}{66}$	$\frac{1}{139}$
齿轮级数 Numberofgeartrans	3		
额定转速 Ratedspeed (rpm) at60Hz	103	80	57
RF-YJ61-16 L=16 (kgf.cm) 额定扭矩 Rated torque	2.46	3.18	44.6
RF-YJ61-26 L=26 (kgf.cm) 额定扭矩 Rated torque	3.86	5.01	7.01
RF-YJ61-30 L=30 (kgf.cm) 额定扭矩 Rated torque	49.1	6.37	8.92
RF-YJ61-35 L=35 (kgf.cm) 额定扭矩 Rated torque	6.14	7.96	11.1
RF-YJ61-40 L=40 (kgf.cm) 额定扭矩 Rated torque	7.02	9.10	12.7
RF-YJ61-50 L=50 (kgf.cm) 额定扭矩 Rated torque	9.12	11.8	16.5
注意 Note:	电压可以根据客户要求来做 Voltage can make as customers' request .		
外形包装尺寸 Packing Details	CTN size: 31X30XH28cm 12pcs/CTN N.W.16kgs		