

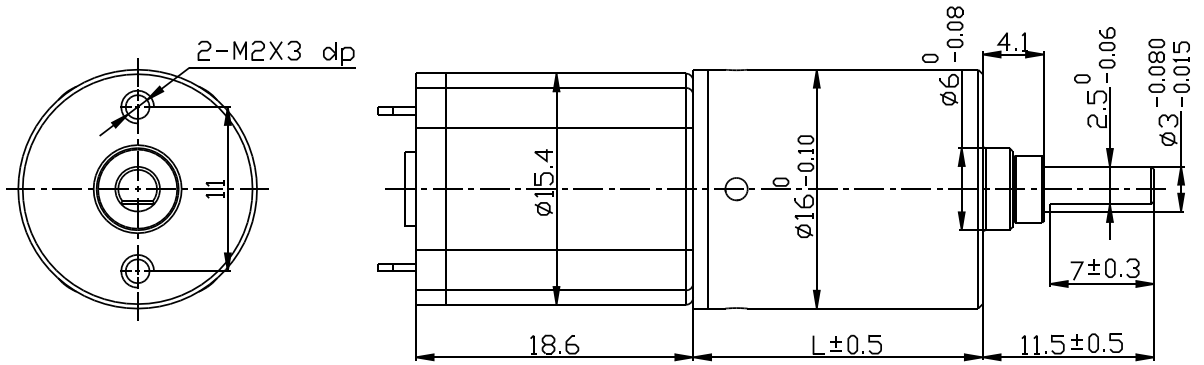
PG16M030



Typical applications:

Optical equipment, Monitoring cameras, Kind of fiber-electronic locks, Automatic energy saving bath, Water IC card, Toys and gifts, Office equipment, Household appliances, Automatic actuator.

Appearance size



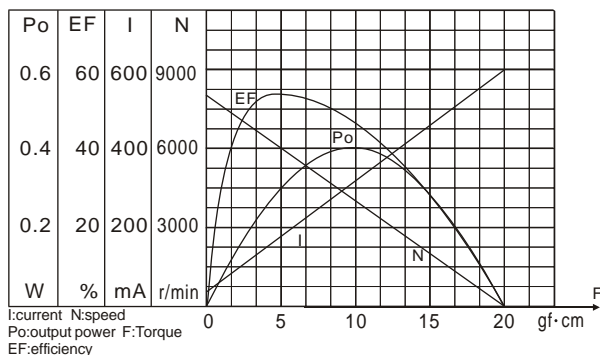
Gear Motor Torque/Speed

Reduction ratio		1/4	1/4.75	1/16	1/19	1/22.5	1/64	1/76	1/90	1/107	1/256	1/304	1/361	1/428	1/509	1/1024	1/1216	1/1444	1/1714	1/2036	1/2418
3V	Rated torque (gf.cm)	14.4	17.1	51.8	61.6	72.9	187	222	263	312	666	790	939	1110	1320	2420	2870	3400	4000	4000	4000
	Rated speed (r/min)	1625	1369	407	343	289	102	85	72	61	25	21	18	15	13	6.4	5.4	4.5	3.8	3.2	2.7
6V	Rated torque (gf.cm)	18	21.4	64.8	77	91.2	234	277	328	390	832	988	1170	1390	1650	3020	3590	4000	4000	4000	4000
	Rated speed (r/min)	2125	1790	532	448	378	133	112	95	80	33	28	23.6	20	16.7	8.3	7.0	5.9	5.0	4.2	3.5
Gearbox "L" mm		15.8		15.8		19.4			23			26.6									

Motor Data

Rated volt (V)	Rated torque (g-cm)	Rated speed (rpm)	Rated current (mA)	No load speed (rpm)	No load current (mA)	Rated output (w)	Weight (g)
3	4.0	6500	≤240	8000	≤55	0.26	12
6	5.0	8500	≤140	10500	≤35	0.43	12

RF-030-3V-8000r/min Characteristics



RF-030-6V-10500r/min Characteristics

