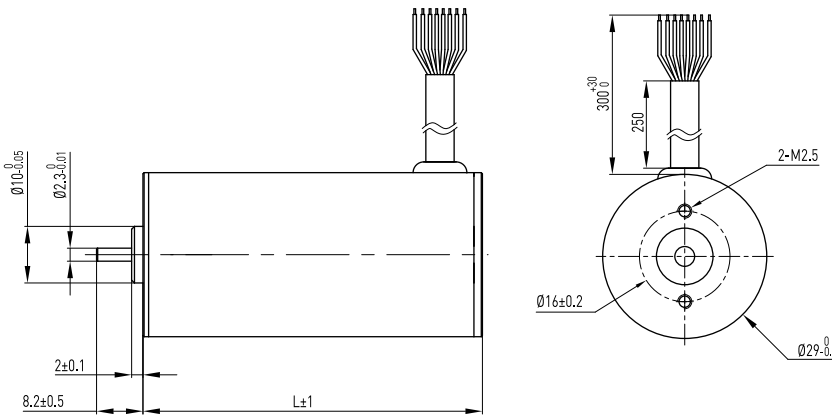


# BB SERIES 29mm



电机型号 Type	电压 Voltage	额定功率 Power	额定扭矩 Rated Torque	空载转速 No load Speed	空载电流 No load Current	负载转速 Rated Speed	负载电流 Rated Current	有否 Hall(Y/N)	电机寿命 Life(Hours)	机身长度 Length	内驱 Internal Drive	内驱长度 Internal Driver Length	电机重量 Weight
<b>BB29530S12 12</b>	12V	5W	0.016N.M	3700RPM	< 0.2A	3000RPM	0.83A	Both	> 5000	60mm	Yes	10mm (Internal Type)	165g
<b>BB29530S24 24</b>	24V	5W	0.016N.M	3600RPM	< 0.2A	3000RPM	0.42A	Both	> 5000	60mm	Yes	10mm (Internal Type)	165g
<b>BB29330S12 12</b>	12V	3W	0.010N.M	3700RPM	< 0.2A	3000RPM	0.50A	Both	> 5000	50mm	Yes	10mm (Internal Type)	150g
<b>BB29330S24 24</b>	24V	3W	0.010N.M	3600RPM	< 0.2A	3000RPM	0.25A	Both	> 5000	50mm	Yes	10mm (Internal Type)	150g
<b>BB29130S12 12</b>	12V	1W	0.003N.M	3700RPM	< 0.2A	3000RPM	0.17A	Both	> 5000	40mm	Yes	10mm (Internal Type)	140g
<b>BB29130S24 24</b>	24V	1W	0.003N.M	3600RPM	< 0.2A	3000RPM	0.08A	Both	> 5000	40mm	Yes	10mm (Internal Type)	140g

## 尺寸图 DIMENSIONAL DRAWING



## 可定制配件 CUSTOMIZE

可定制项目 Customize Needs	是否可定制 Yes/No
电机长度 H	Yes
轴 Shaft	Yes
转速 Speed	Yes
电压 Voltage	Yes
功率 Power	Yes
引出线 Wires	Yes
控制 Drive	Yes
Hall / No hall	Yes

## 电机特性曲线 CURVE

