

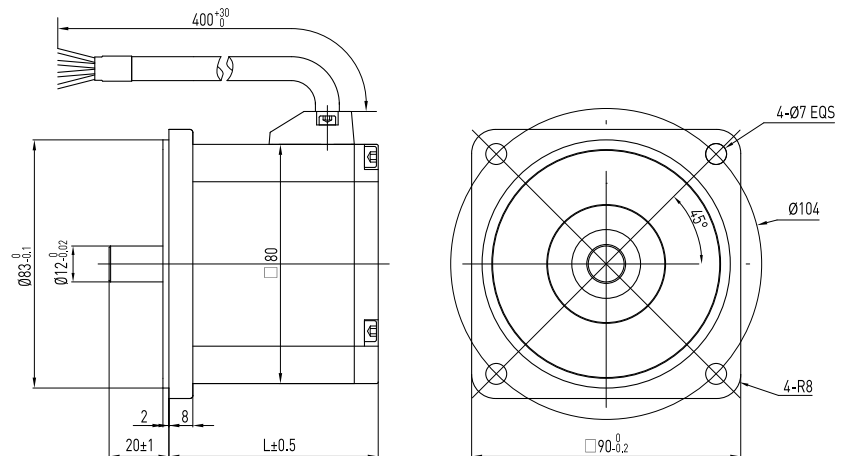
BC SERIES 9080



80电机参数 80 MOTOR DATA

电机型号 Type	电压 Voltage	额定功率 Power	额定扭矩 Rated Torque	空载转速 No load Speed	空载电流 No load Current	负载转速 Rated Speed	负载电流 Rated Current	有否 Hall(Y/N)	电机寿命 Life(Hours)	机身长度 Length	内驱 Internal Drive	电机重量 Weight
BC808020S24	24V	80W	0.382N.M	2700RPM	< 0.8A	2000RPM	0.17A	Both	> 5000	70mm	NO	1600g
BC808020S310	310V	80W	0.382N.M	2600RPM	< 0.4A	2000RPM	0.32A	Both	> 5000	70mm	NO	1600g
BC8012020S24	24V	120W	0.573N.M	2700RPM	< 0.8A	2000RPM	6.25A	Both	> 5000	75mm	NO	1700g
BC8012020S310	310V	120W	0.573N.M	2600RPM	< 0.4A	2000RPM	0.48A	Both	> 5000	75mm	NO	1700g
BC8018020S24	24V	180W	0.86N.M	2700RPM	< 0.8A	2000RPM	9.38A	Both	> 5000	80mm	NO	1800g
BC8018020S310	310V	180W	0.86N.M	2600RPM	< 0.4A	2000RPM	0.73A	Both	> 5000	80mm	NO	1800g

尺寸图 DIMENSIONAL DRAWING



90齿轮箱 90 GEAR BOX

容许力矩单位 Allowance Torque Unit: N.m

减速比 Reduction Ratio		3	3.6	5	6	7.5	9	12.5	15	18	25	30	36	50	60	75	90	100	120	150	180	200
输出轴转速 Output Speed	r/min	667	556	400	333	267	222	160	133	111	80	67	56	40	33	27	22	20	17	13	11	10
允许力矩 Allowable Torque	N.m	0.7	0.84	1.16	1.39	1.74	2.09	2.61	3.14	3.76	4.73	5.67	6.81	9.45	11.35	14.18	15.21	16.9	20	20	20	20

尺寸图 DIMENSIONAL DRAWING

