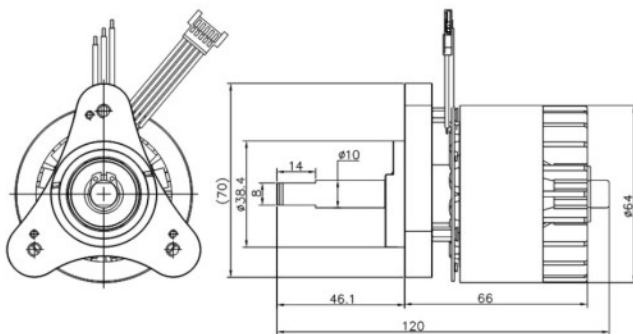


Ø 64mm Brushless Dc Motor Outrunner



AE6425	UNIT	001	002	003	004
RATED VOLTAGE(额定电压)	V/DC	40			
RATED SPEED(额定转速)	RPM	10500			
NO LOAD SPEED(空载转速)	RPM	12000			
NO LOAD CURRENT(空载电流)	A	5			
RATED CURRENT(额定电流)	A	30			
RATED TORQUE(额定转矩)	N.M	0.9			
RATED POWER(额定功率)	W	990			
MAX EFFICIENCY(最大效率)	%	83			
RESISTANCE PHASE TO PHASE	OHM	0.017			
TORQUE CONSTANT(转矩常数)	N.m/A	0.03			
SPEED CONSTANT(速度常数)	rpm/V	300			
ROTOR INERTIA(转动惯量)	kg.cm ²	2.63			
WEIGHT(重量)	g	700			

SPECIFICATION

AMBIENT TEMPERATURE RANGE	-20~50°C
MAX PERMISSIBLE WINDING TEMPERATURE	85°C
MAX PERMISSIBLE SPEED	16000RPM
MAX AXIAL LOAD	10N
MAX RADIAL LOADING	30N
NUMBER OF THE POLE PAIR	7

Application

Powertools Saw (电动螺丝工具) etc