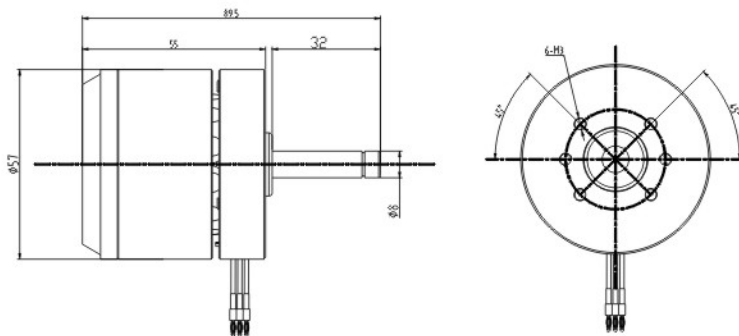


Ø 57mm Brushless Dc Motor Outrunner



AE5725	UNIT	001	002	003	004
RATED VOLTAGE(额定电压)	V/DC	40			
RATED SPEED(额定转速)	RPM	8000			
NO LOAD SPEED(空载转速)	RPM	11000			
NO LOAD CURRENT (空载电流)	A	2.5			
RATED CURRENT (额定电流)	A	30			
RATED TORQUE (额定转矩)	N.M	1.2			
MAX EFFICIENCY (最大效率)	%	89			
RESISTANCE PHASE TO PHASE	OHM	0.035			
TORQUE CONSTANT (转矩常数)	N.m/A	0.04			
SPEED CONSTANT (速度常数)	rpm/V	280			
ROTOR INERTIA(转动惯量)	Kg.cm ²	1.49			

SPECIFICATION

AMBIENT TEMPERATURE RANGE	-20~45°C
MAX PERMISSIBLE WINDING TEMPERATURE	85°C
MAX PERMISSIBLE SPEED	13000RPM
MAX AXIAL LOAD	8N
MAX RADIAL LOADING	25N
NUMBER OF THE POLE PAIR	7
WEIGHT OF MOTOR	490G