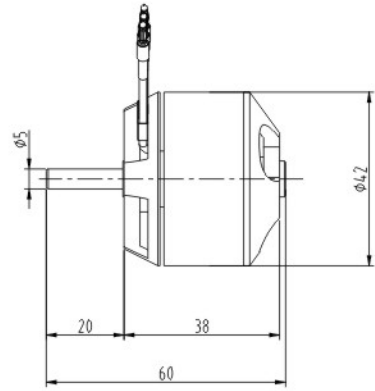
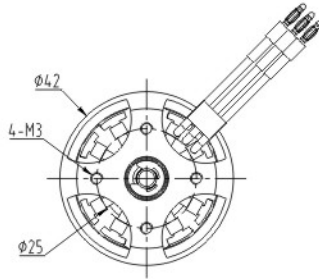
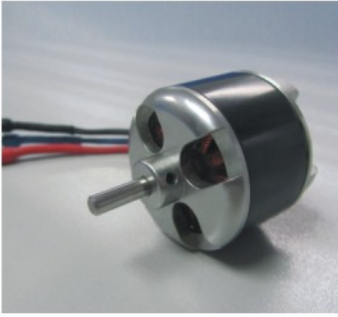


Ø 43mm Brushless Dc Motor Outrunner



AE4315	UNIT	001	002	003	004
RATED VOLTAGE(额定电压)	V/DC	18	40		
RATED SPEED(额定转速)	RPM	18100	17100		
NO LOAD SPEED(空载转速)	RPM	21560	19300		
NO LOAD CURRENT (空载电流)	A	3	0.6		
RATED CURRENT (额定电流)	A	21	8		
RATED TORQUE (额定转矩)	N.M	0.15	0.15		
MAX EFFICIENCY (最大效率)	%	81	85		
RESISTANCE PHASE TO PHASE	OHM	0.022	0.15		
TORQUE CONSTANT (转矩常数)	N.m/A	0.007	0.019		
SPEED CONSTANT (速度常数)	rpm/V	1200	480		
ROTOR INERTIA(转动惯量)	Kg.cm ²	0.39	0.39		

SPECIFICATION

AMBIENT TEMPERATURE RANGE	-20~+45°C
MAX PERMISSIBLE WINDING TEMPERATURE	85°C
MAX PERMISSIBLE SPEED	12000RPM
MAX AXIAL LOAD	8N
MAX RADIAL LOADING	20N
NUMBER OF THE POLE PAIR	5
WEIGHT OF MOTOR	170G