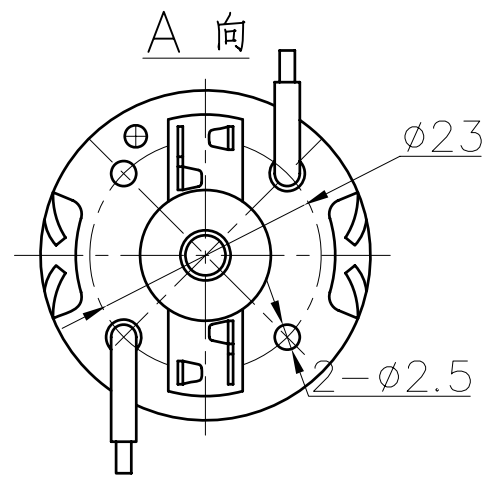


Note:  
 1. Please check The mounting dimension by the above drawing and check the main parameters in the left label  
 2. All the parts of motor and gearbox are ZD standard.



Model of Motor	Z32DP2415-30S	Gearbox	32PM35K
Rated Voltage	24VDC	Reduction Class	2
Output Power	15W	Instantaneous max torque	Twice as rated torque
Rated Current	1.2A	The max torque gearmotor bear continuous	1.35N.m
Rated speed	3000rpm±10%		
Rated Torque	0.05N.m	Transimit Efficiency	81%
No loading Current	≤0.6A	Noise	<65dB (L=100cm)
No loading Speed	3600rpm±10%	Wiring Diagram	
Duty	Cont		
Brush life	1000H		
Insulation resistance	>20MΩ		
Hi-POT Test	660V/S		
In.Class	B		
Protection Grade	IP20		
Using temperature	-10°C~+40°C		

					Material:	Product name:
						DC PLANET GEAR MOTOR
Mark	NO	Zone	Description	Signee	Date	Drawing title:
						OUTLINE DRAWING
Designed by					Drawing method:	Drawing number:
Drawn by					Stage: S	ZD-DC20140919001
Checked by					Units: mm	Scale: FULL
Approved by					Weight:	
					Page 1 of 1	

NINGBO ZHONGDA LEADER TRANSMISSION CO.,LTD