



VF-YJ61 系列 罩极电机

Series SHADE POLE MOTOR

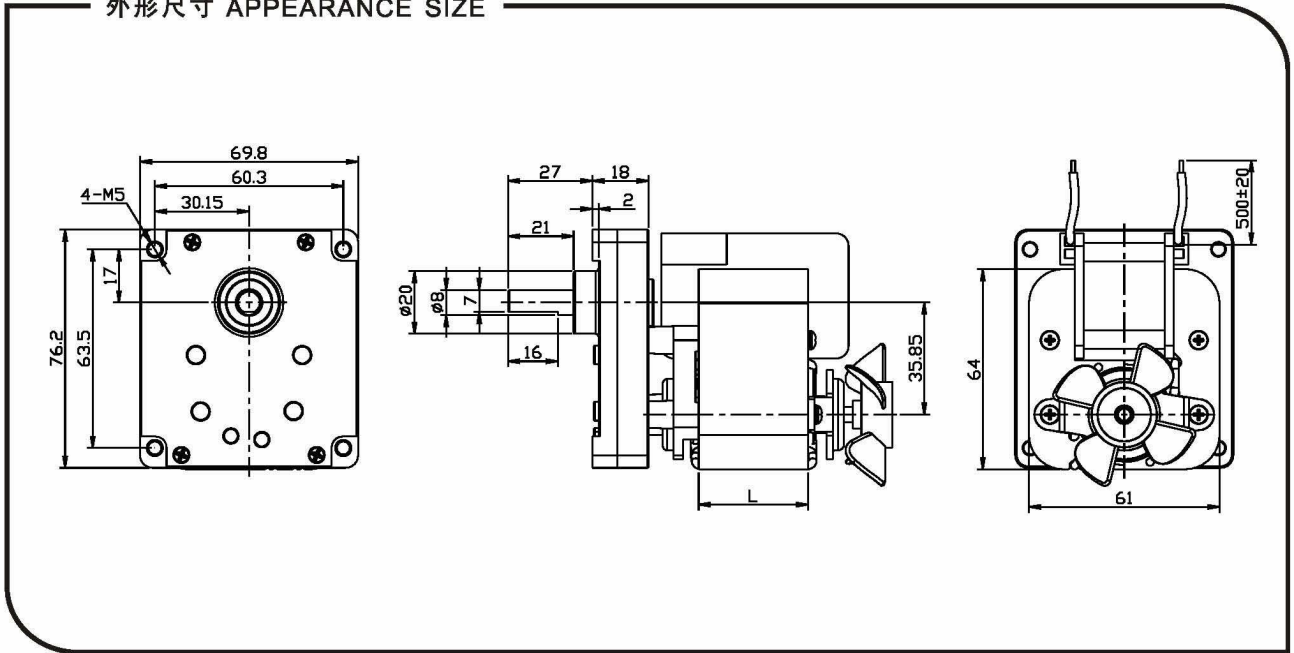
AC GEARED MOTOR

输出功率/OUTPUT POWER: 1.0~15W(approx)

重量/WEIGHT: 500~600g(approx)

用途/Typical applications: 焊接机、垃圾处理器、咖啡机、印刷机、稳压机、碎纸机、
输卡机、中央空调阀门、办公设备、家用设备、执行器
Central ari-conditioning valve, Amusement equipment,
Coinrefund devices, Grill, Oven, Peristaltic pumps, ATM
bank automatic system, Robot, Medical equipment, Office
equipment, Household appliances, Automatic actuator.

外形尺寸 APPEARANCE SIZE



减速电机扭矩/转速 GEARED MOTOR TORQUE/SPEED

减速比 Reduction ratio	$\frac{1}{36}$	$\frac{1}{66}$	$\frac{1}{94}$	$\frac{1}{139}$	$\frac{1}{155}$	$\frac{1}{196}$	$\frac{1}{219}$	$\frac{1}{277}$	$\frac{1}{392}$	$\frac{1}{555}$	$\frac{1}{833}$
齿轮级数 Numberofgeartrans	3			4						5	
额定转速 Ratedspeed (rpm) at60Hz	77.7	42.4	29.7	20.1	18.0	14.2	12.8	10.1	7.1	5.0	3.3
VF-YJ61-16 L=16 (kgf.cm) 额定扭矩 Rated torque	3.68	6.74	9.61	12.6	14.1	17.8	19.9	25.2	32.4	45.8	68.8
VF-YJ61-26 L=26 (kgf.cm) 额定扭矩 Rated torque	5.78	10.6	15.1	19.9	22.1	28.0	31.3	39.6	50.9	72.0	80.0
VF-YJ61-30 L=30 (kgf.cm) 额定扭矩 Rated torque	7.36	13.5	19.2	25.3	28.2	35.7	39.8	50.4	64.8	80.0	80.0
VF-YJ61-35 L=35 (kgf.cm) 额定扭矩 Rated torque	9.20	16.9	24.0	31.6	35.3	44.6	49.8	63.0	80.0	80.0	80.0
VF-YJ61-40 L=40 (kgf.cm) 额定扭矩 Rated torque	10.5	19.3	27.4	36.1	40.3	50.9	56.9	72.0	80.0	80.0	80.0
VF-YJ61-50 L=50 (kgf.cm) 额定扭矩 Rated torque	13.6	25.1	35.7	47.0	52.4	66.2	74.0	80.0	80.0	80.0	80.0
注意 Note:	电压可以根据客户要求来做 Voltage can make as customers' request .										
外形包装尺寸 Packing Details	CTN size: 31X30XH10cm 4pcs/CTN N.W.6kgs										