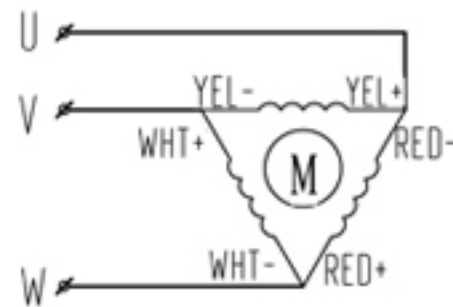


90mm 3 Phase Hybrid Stepping Motor

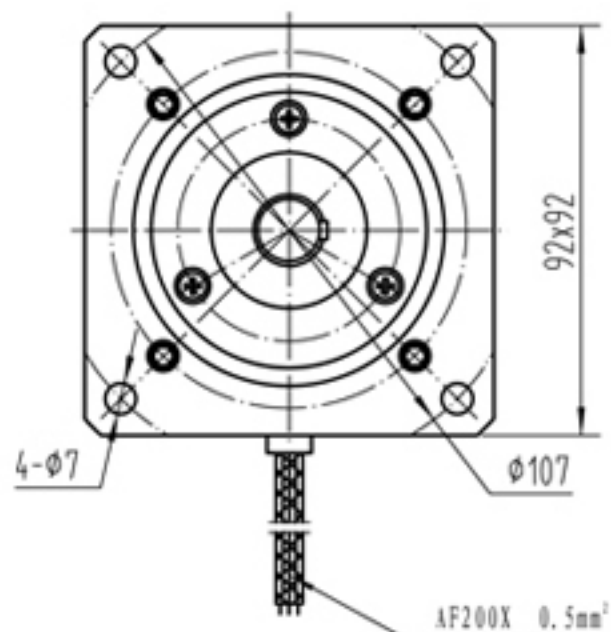
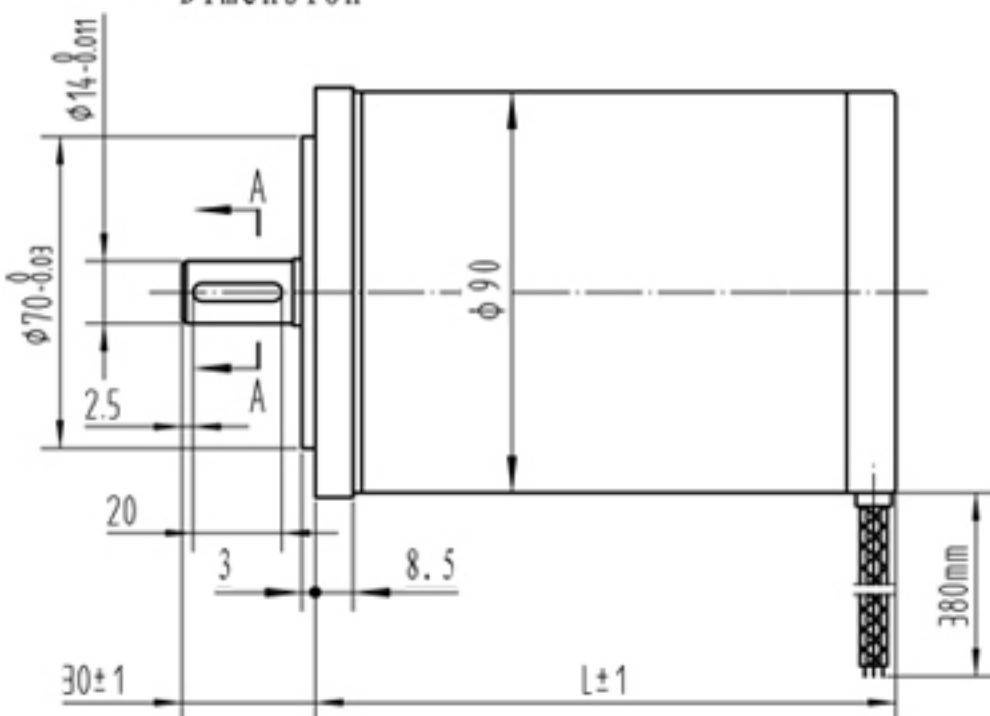
Step angle	----	1.2°
Step Angle Accuracy	----	±5% (full step, no load)
Resistance Accuracy	----	±10%
Inductance Accuracy	----	±20%
Insulation Resistance	----	500VDC 100MΩMin
Dielectric Strength	----	500VAC 1 minute
Ambient Temperature	----	-20°C-- +50°C
Temperature Rise	----	80°C Max(rated current)
Shaft Axial Play	----	0.3mm Max(450g load)
Shaft Radial Play	----	0.025mm Max(450g load)
Max Axial Force	----	60N
Max Radial Force	----	220N(20mm from the flange)
Insulation Class	----	B



* Specifications

Model	Motor Codes	Voltage /Phase	Current /Phase	Resistance /Phase	Inductance /Phase	Holding Torque	NO. Leads	Rotor Inertia	Weight	Length
Units		V	A	Ω	mH	N. m		Kg. cm ²	Kg	mm
SY903P101-5203A	160101000	4.65	3	1.55	5.2	4	3	2.4	3.67	101
SY903P131-5203A	160131000	6.21	3	2.07	8.07	6	3	3.6	4.8	131
SY903P87-5203A	160087000	4.32	3	1.44	5.4	4.4	3	1.9	2.75	87

* Dimension



A-A

