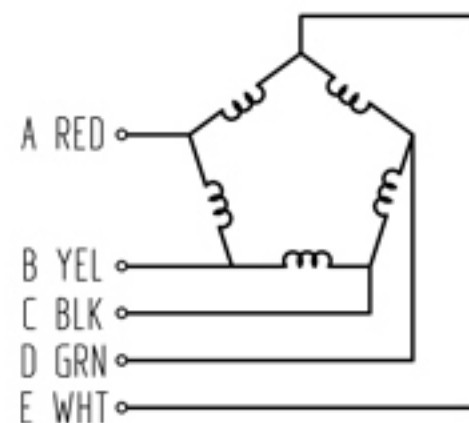


90mm 5 Phase Hybrid Stepping Motor

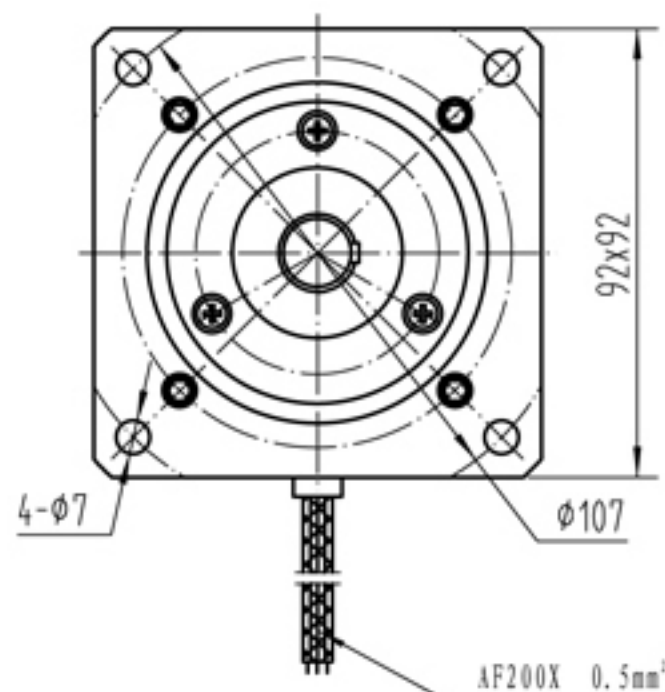
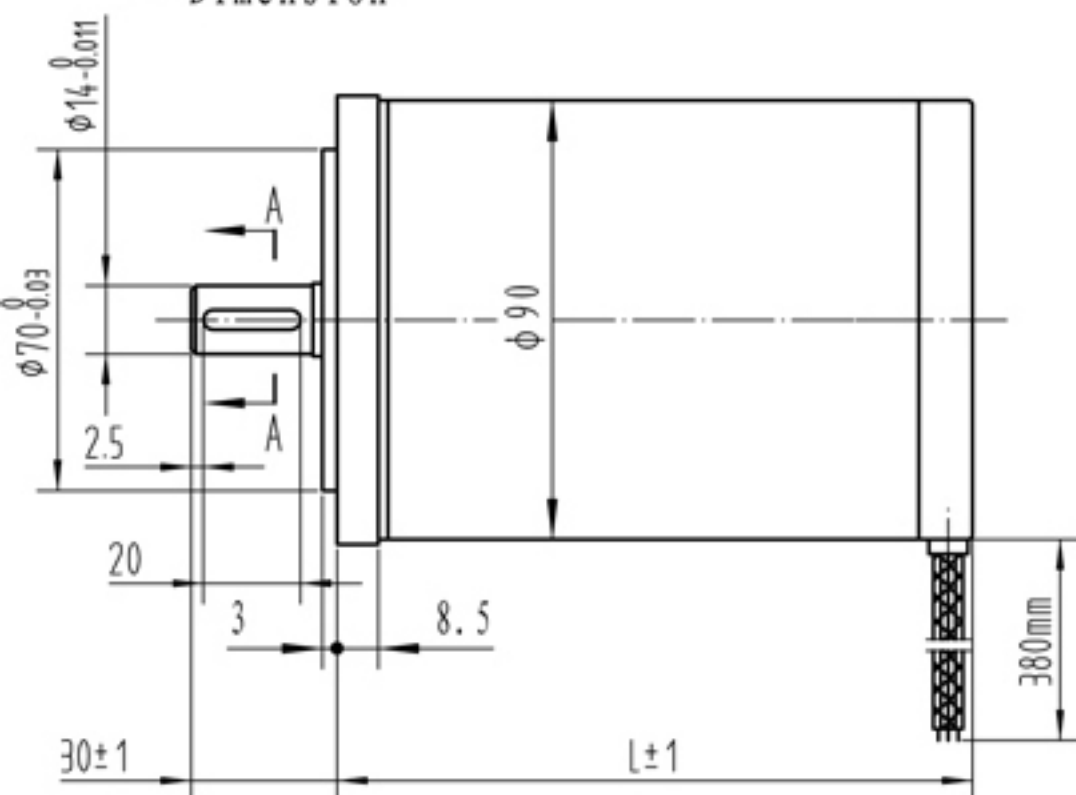
Step angle	----	0.72°
Step Angle Accuracy	----	±5% (full step, no load)
Resistance Accuracy	----	±10%
Inductance Accuracy	----	±20%
Insulation Resistance	----	500VDC 100MΩMin
Dielectric Strength	----	500VAC 1 minute
Ambient Temperature	----	-20℃-- +50℃
Temperature Rise	----	80℃ Max(rated current)
Shaft Axial Play	----	0.3mm Max(450g load)
Shaft Radial Play	----	0.025mm Max(450g load)
Max Axial Force	----	60N
Max Radial Force	----	220N(20mm from the flange)
Insulation Class	----	B



* Specifications

Model	Motor Codes	Voltage /Phase	Current /Phase	Resistance /Phase	Inductance /Phase	Holding Torque	Leads	Rotor Inertia	Weight	Length
Units		V	A	Ω	mH	N.m		Kg.cm ²	Kg	mm
SY905P71-3005A	170071000	2.55	3	0.85	3.41	2.1	5	1.2	2.58	71
SY905P101-3005A	170101000	3.9	3	1.3	7.56	4	5	2.4	3.57	101

* Dimension



A-A

