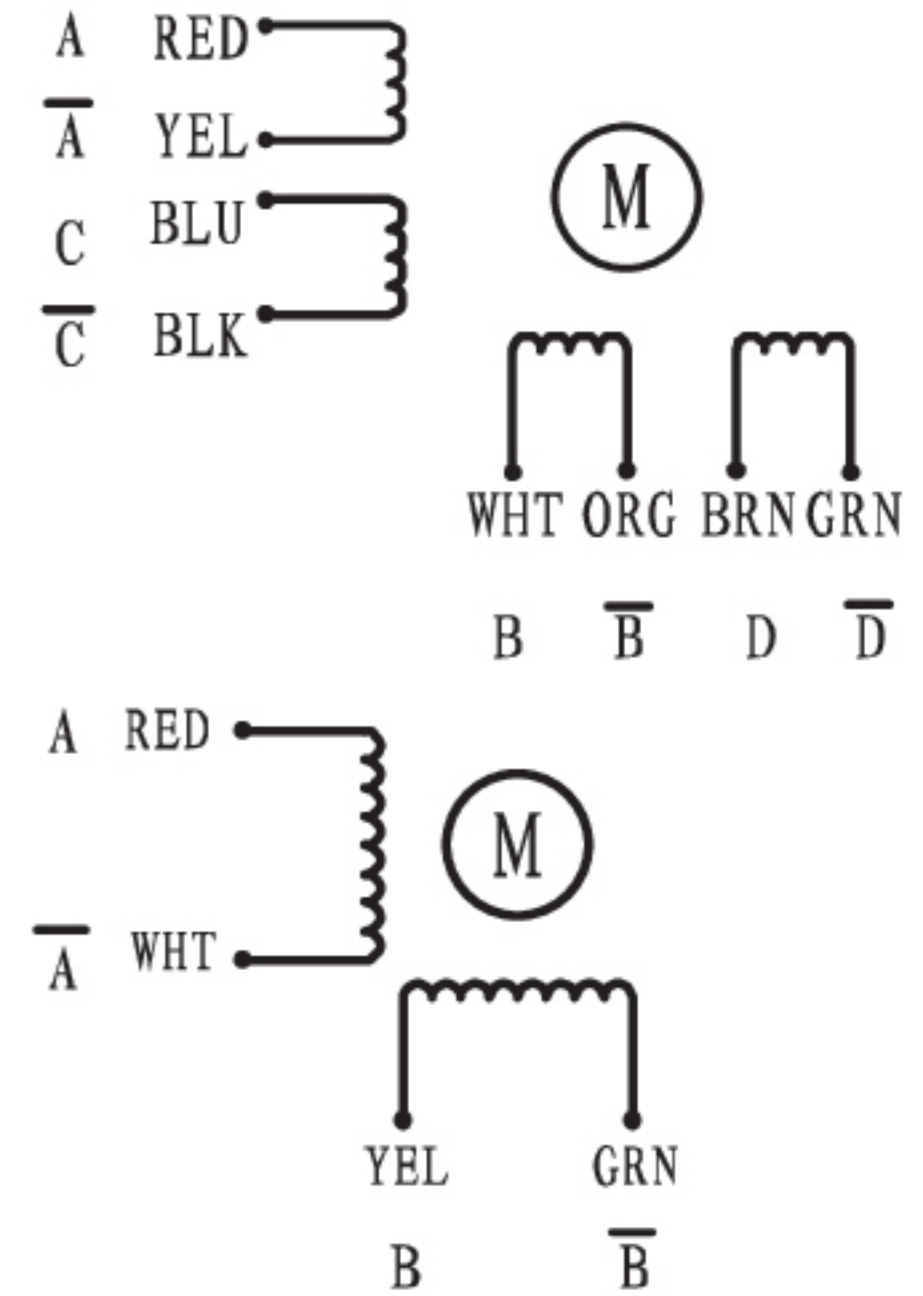
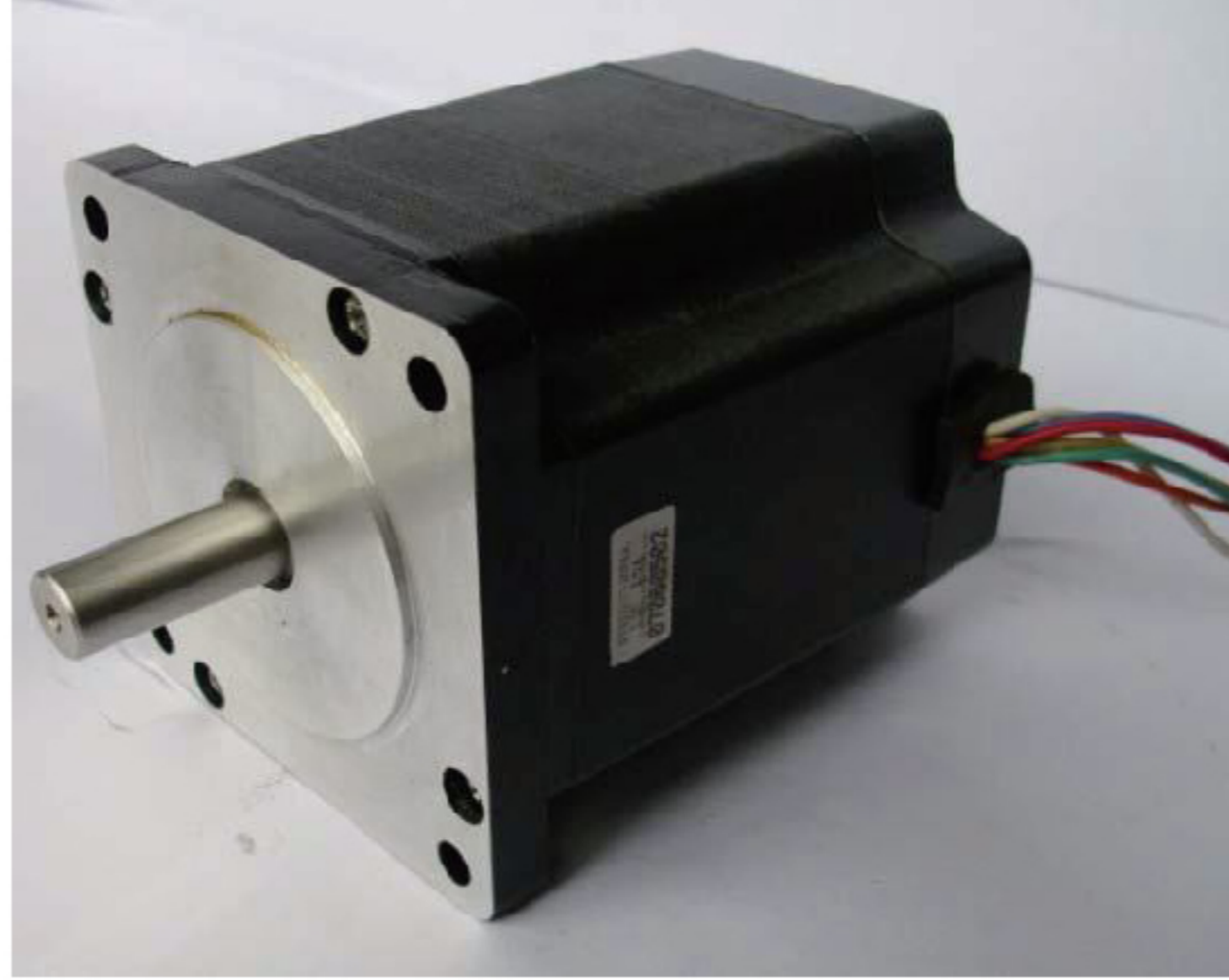


# 85mm 2 Phase Hybrid Stepping Motor

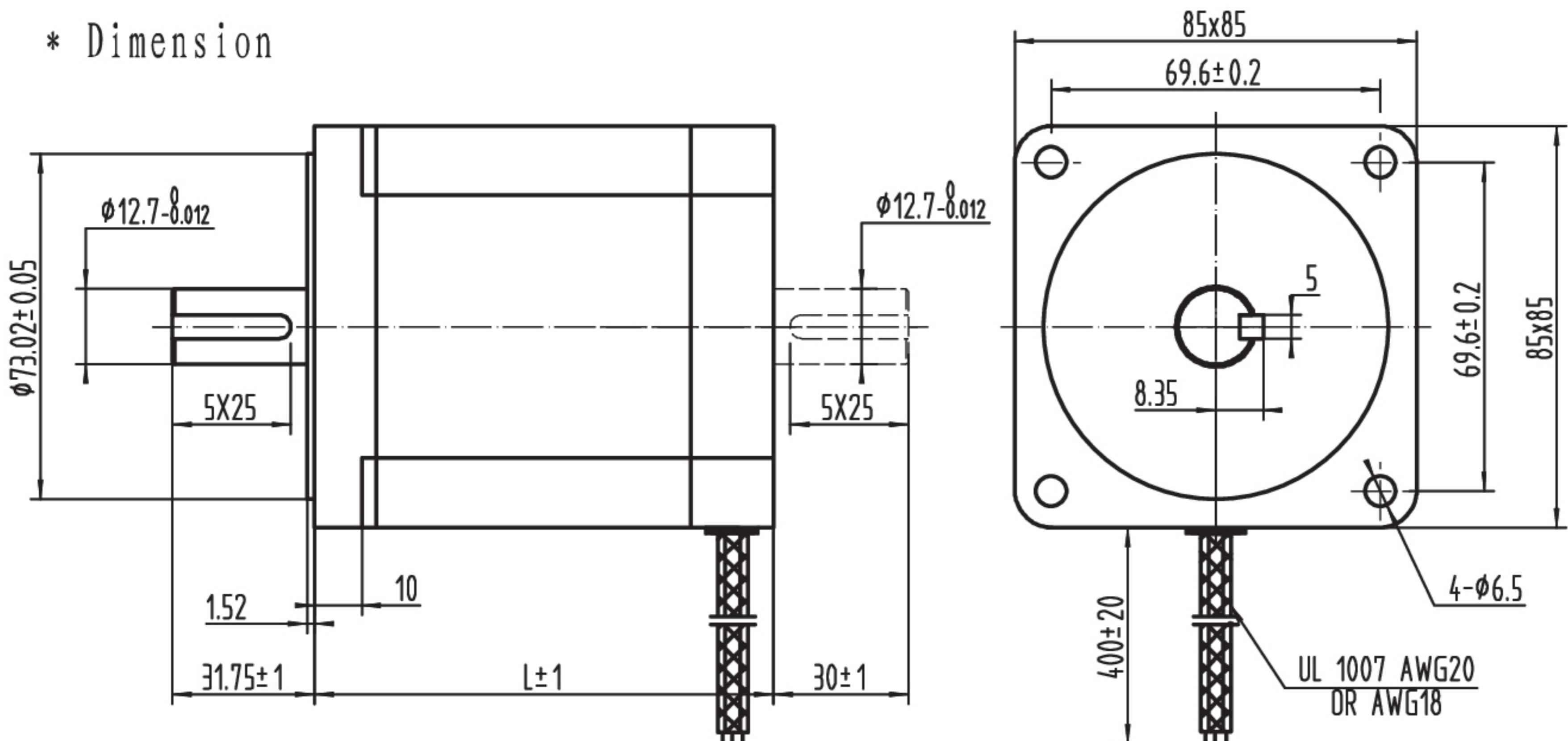
Step Angle	----	1.8°
Step Angle Accuracy	----	±5% (full step, no load)
Resistance Accuracy	----	±10%
Inductance Accuracy	----	±20%
Insulation Resistance	----	500VDC 100MΩMin
Dielectric Strength	----	500VAC 1 minute
Ambient Temperature	----	-20℃-- +50℃
Temperature Rise	----	80℃ Max(rated current)
Shaft Axial Play	----	0.08mm Max(450g load)
Shaft Radial Play	----	0.02mm Max(450g load)
Max Axial Force	----	80N
Max Radial Force	----	220N(20mm from the flange)
Insulation Class	----	B



## \* Specifications

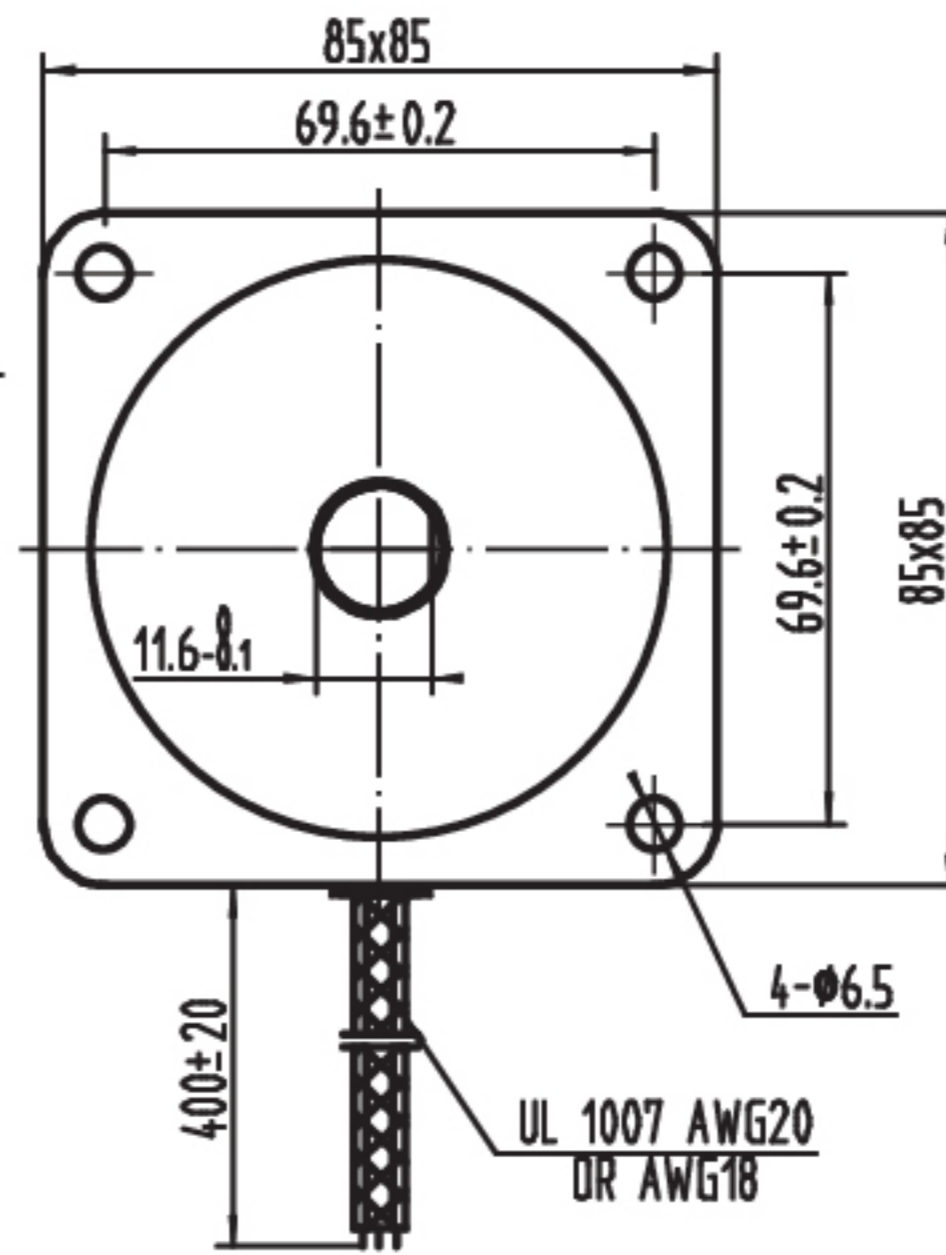
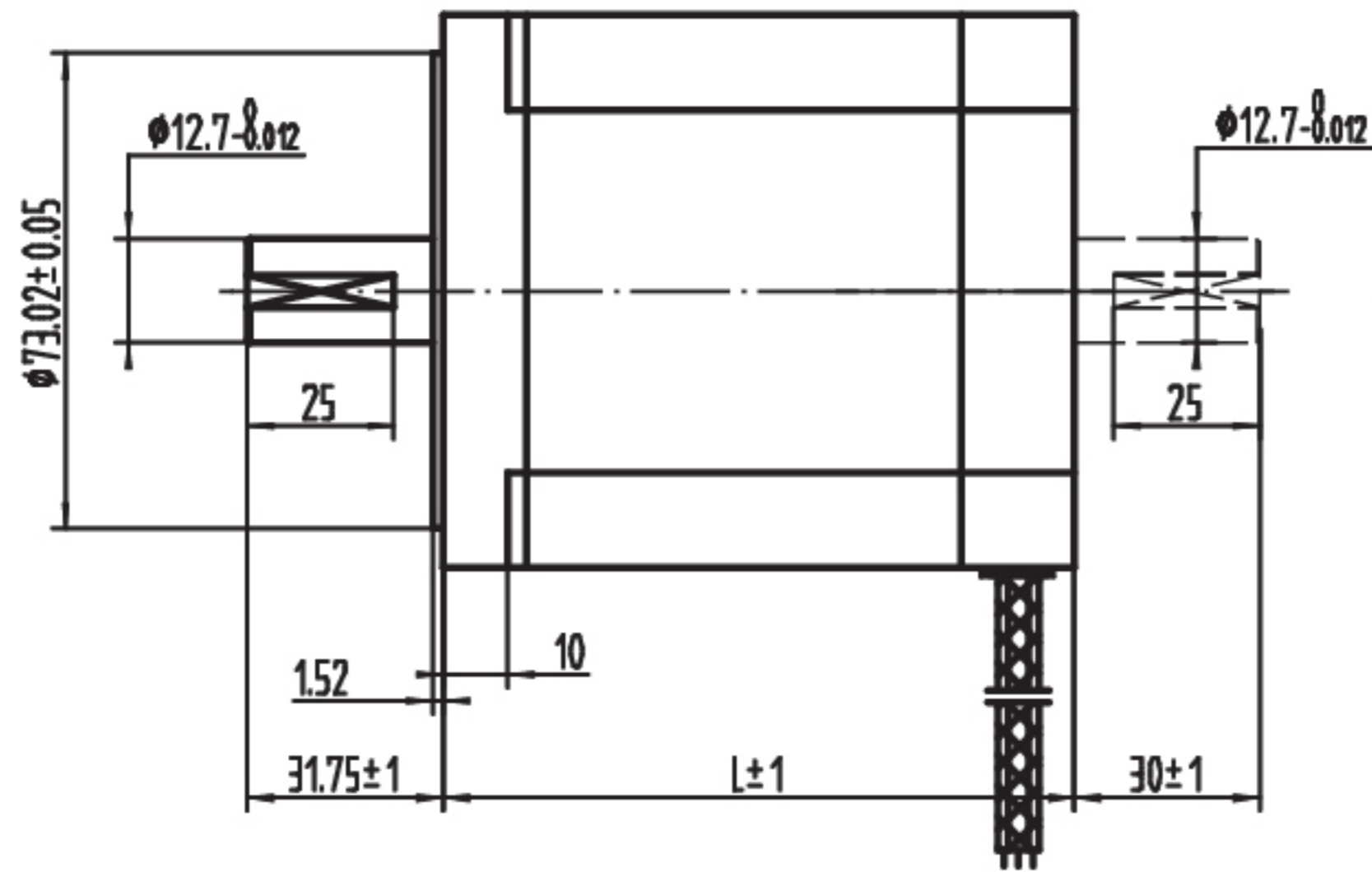
Model	Motor Codes	Voltage /Phase	Current /Phase	Resistance /Phase	Inductance /Phase	Holding Torque	NO. of Leads	Rotor Inertia	Weight	Detent Torque	Length
Units		V	A	Ω	mH	N. m		g. cm <sup>2</sup>	Kg	Kg-cm	mm
SY85STH65-5904A	110065000	1.65	5.9	0.28	1.7	3.4	4	1000	1.8	0.8	65
SY85STH65-2808A	110065001	3.92	2.8	1.4	3.9	3.4	8				
SY85STH80-5504A	110080000	2.53	5.5	0.46	4	4.6	4	1400	2.4	1.2	80
SY85STH80-4208A	110080001	3.18	4.2	0.75	3.4	4.6	8				
SY85STH118-6004A	110118000	3.6	6.0	0.6	6.5	8.7	4	2700	3.8	2.4	118
SY85STH118-4208A	110118001	3.78	4.2	0.9	6.0	8.7	8				
SY85STH156-6204A	110156000	4.65	6.2	0.75	9.0	12.2	4	4000	5.4	0.36	156
SY85STH156-4208A	110156001	5.25	4.2	1.25	8.0	12.2	8				

## \* Dimension

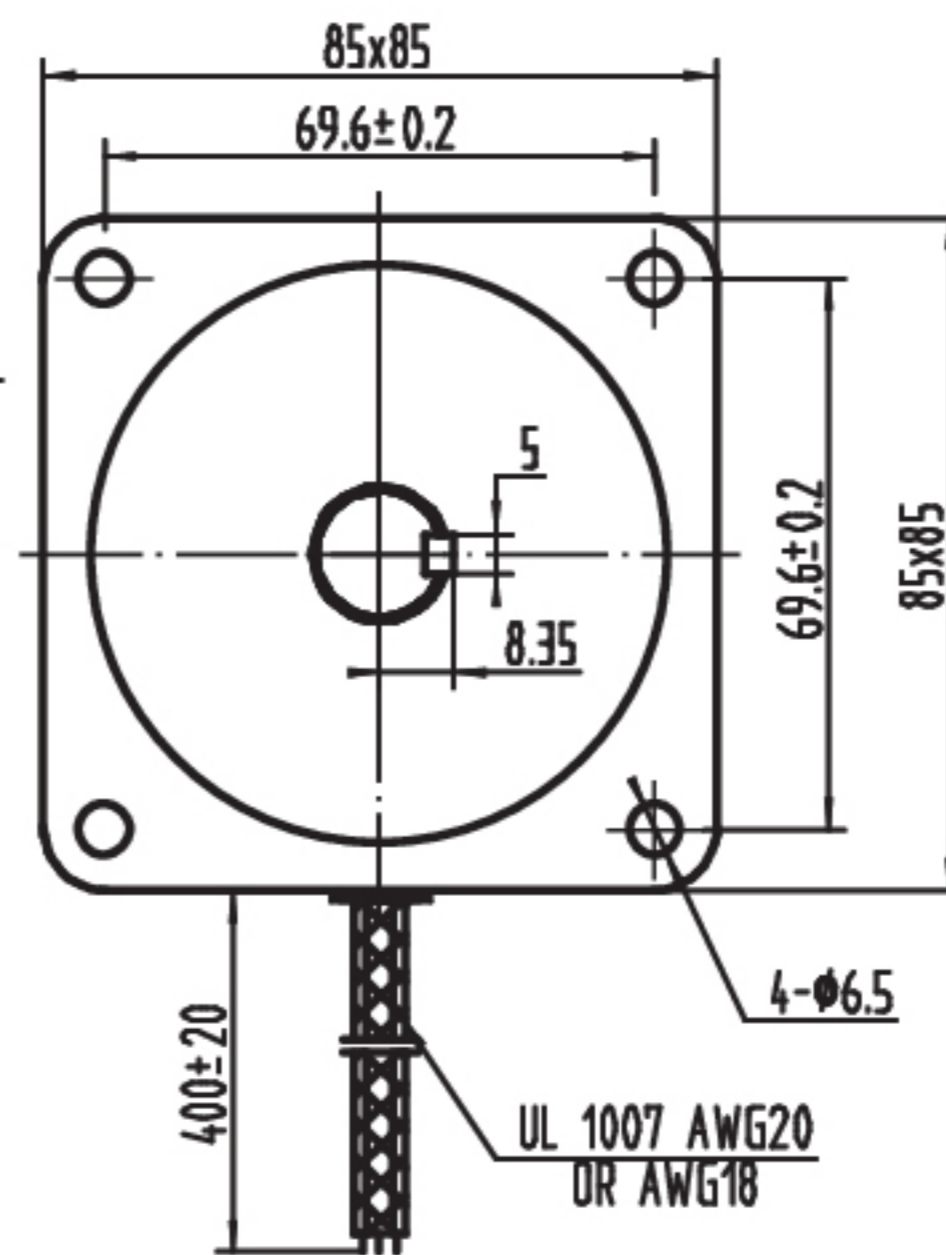
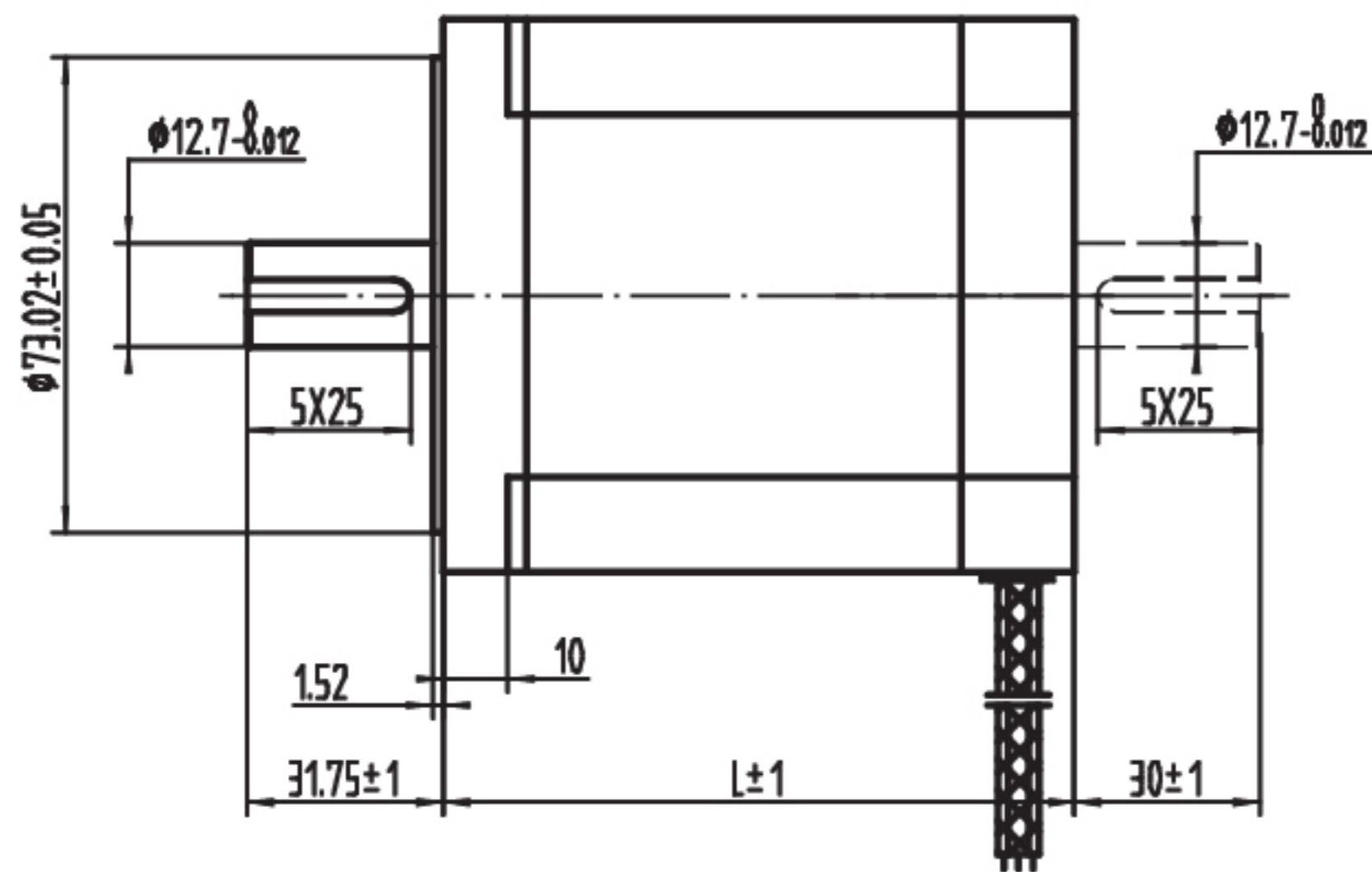




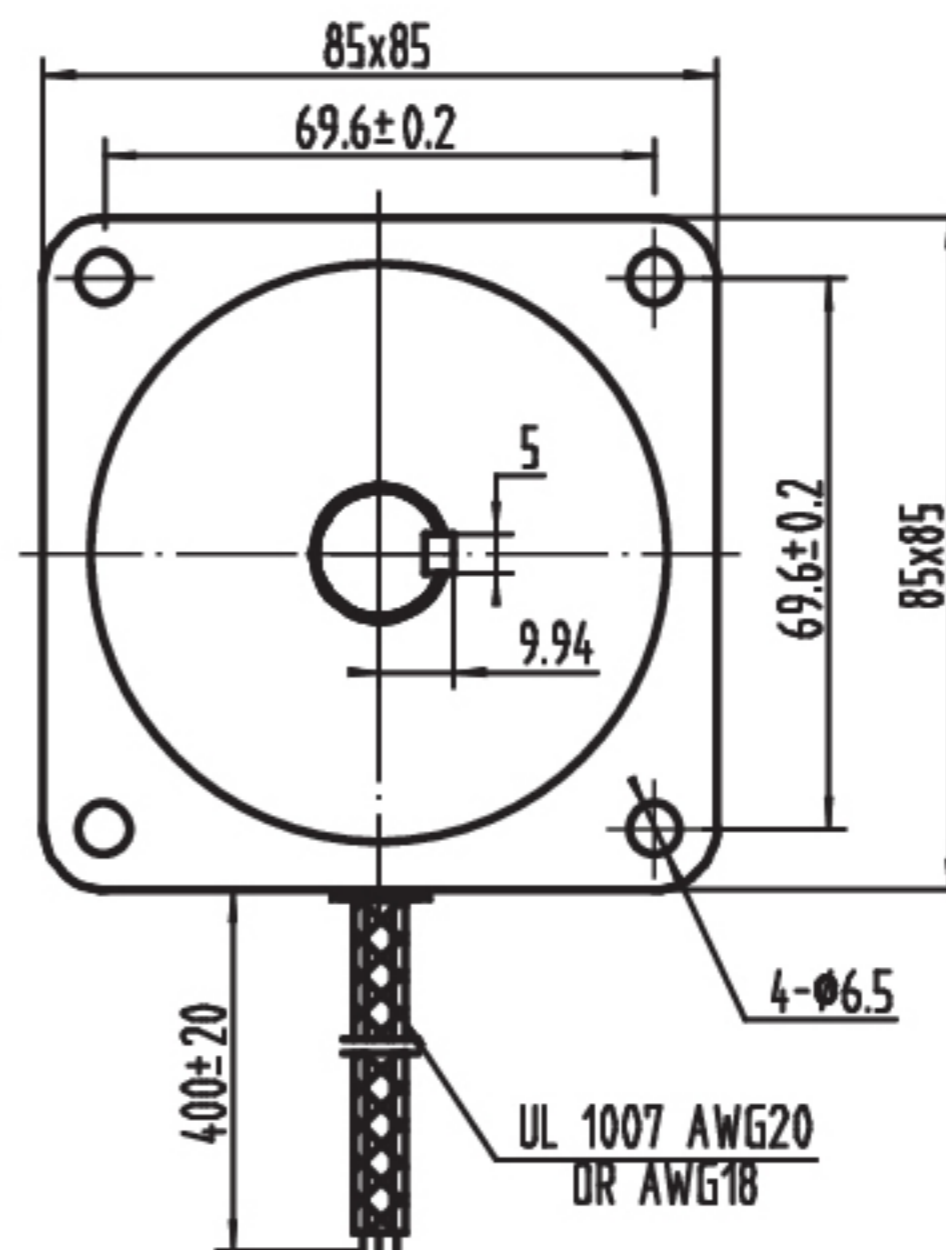
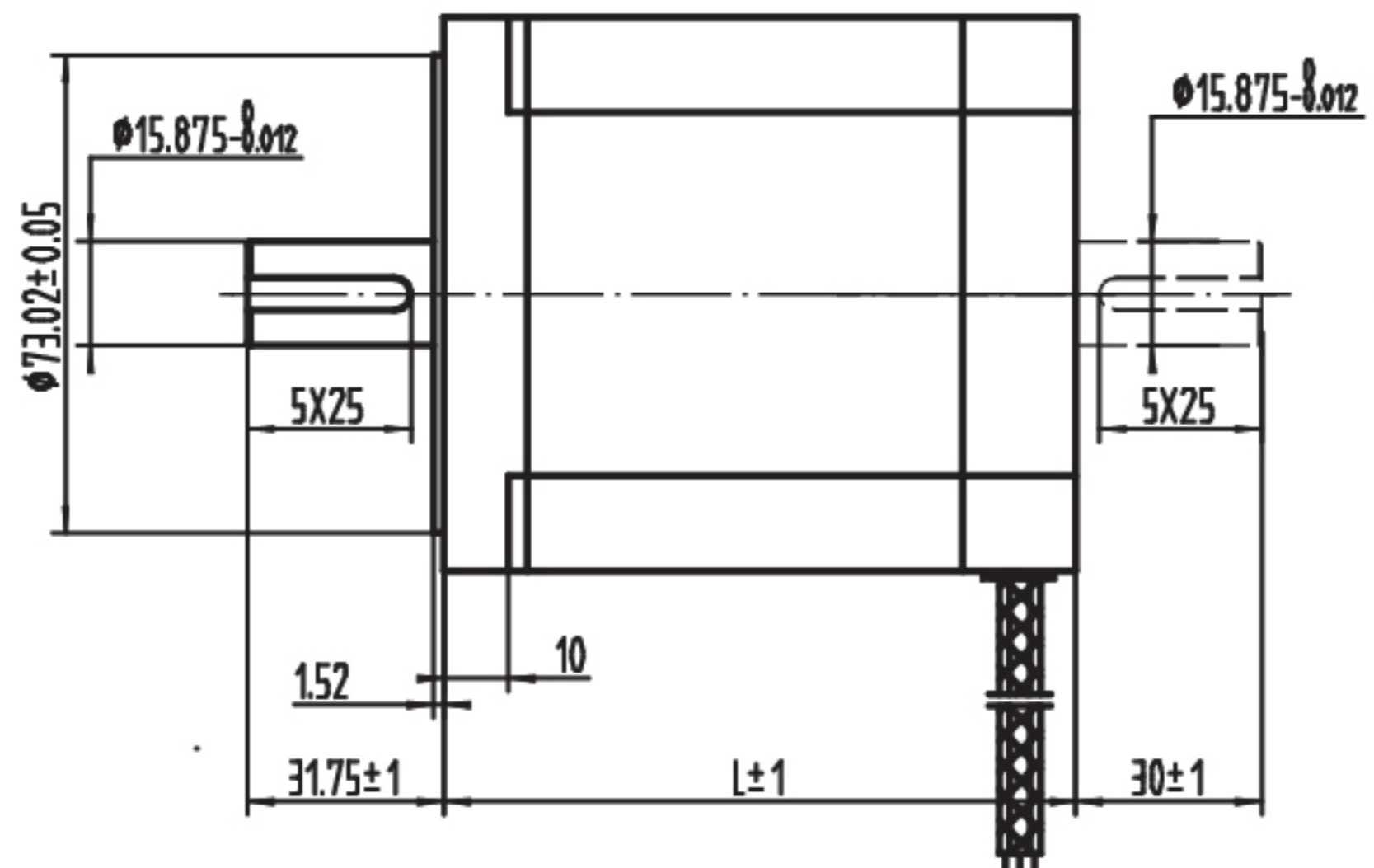
SY85STH80-5504A/4208A



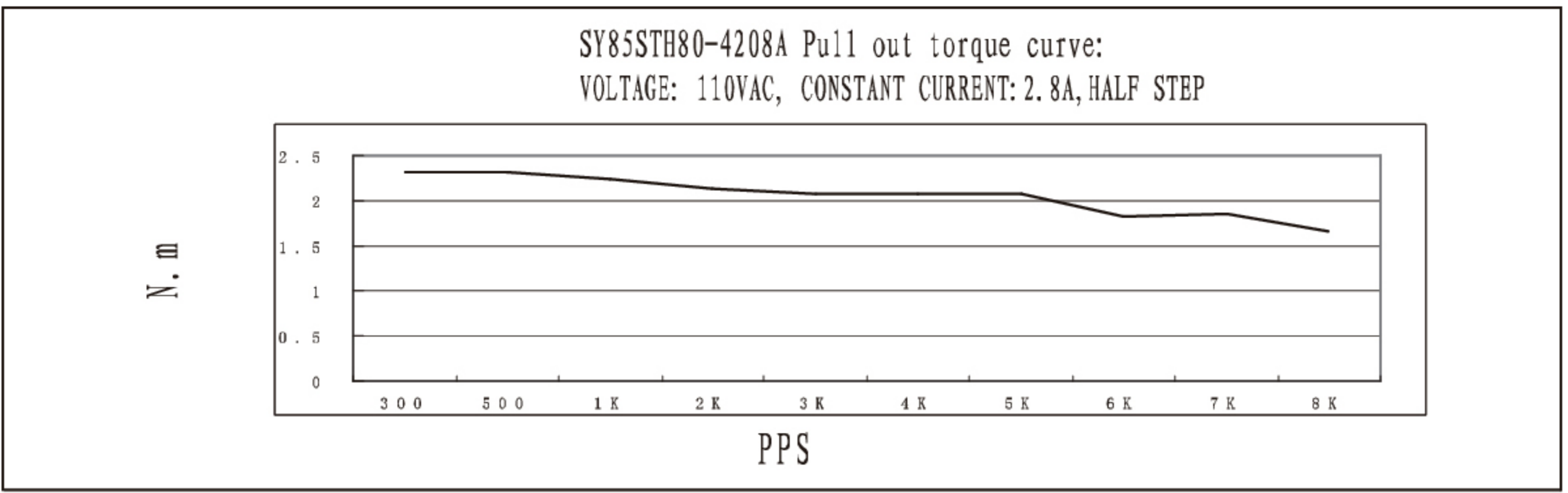
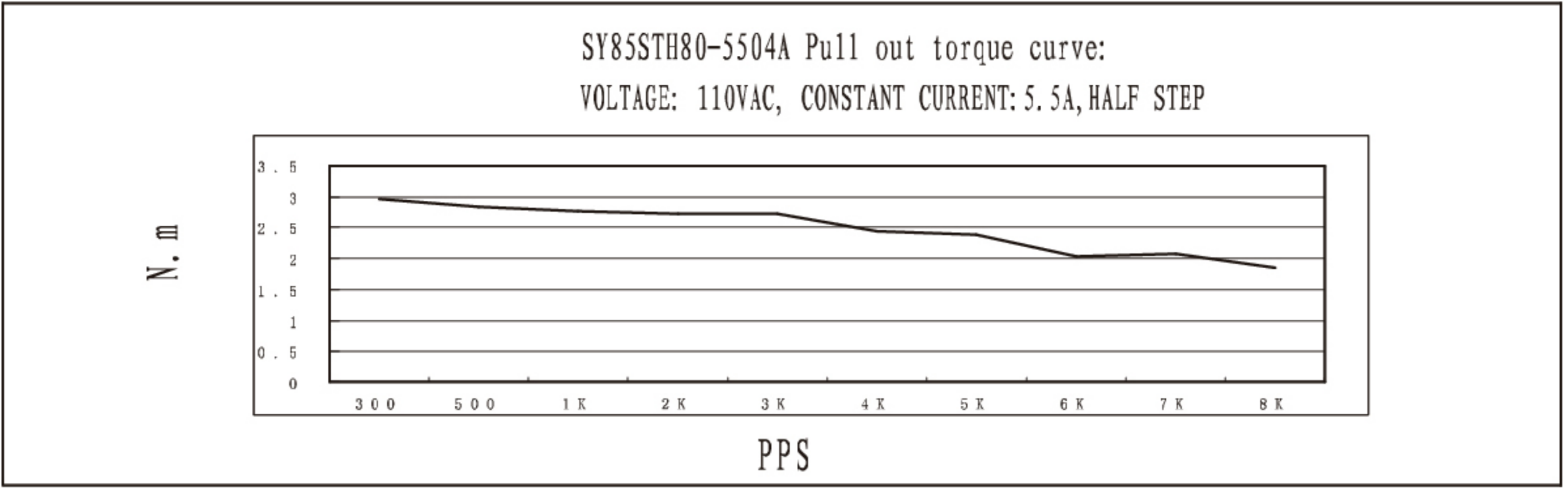
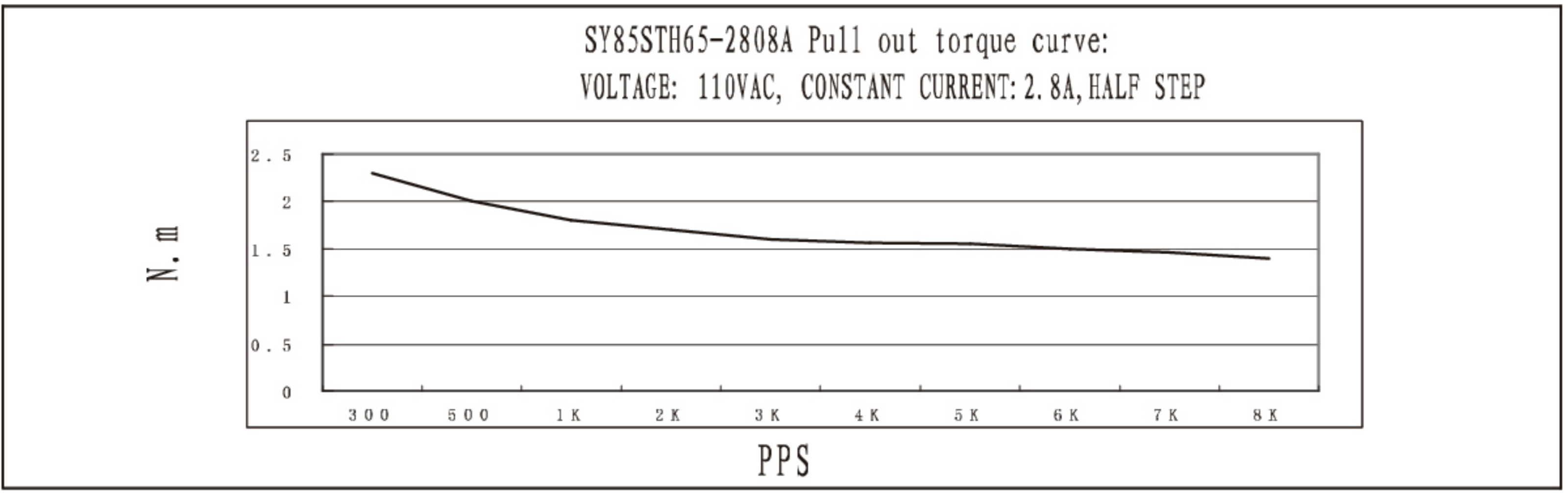
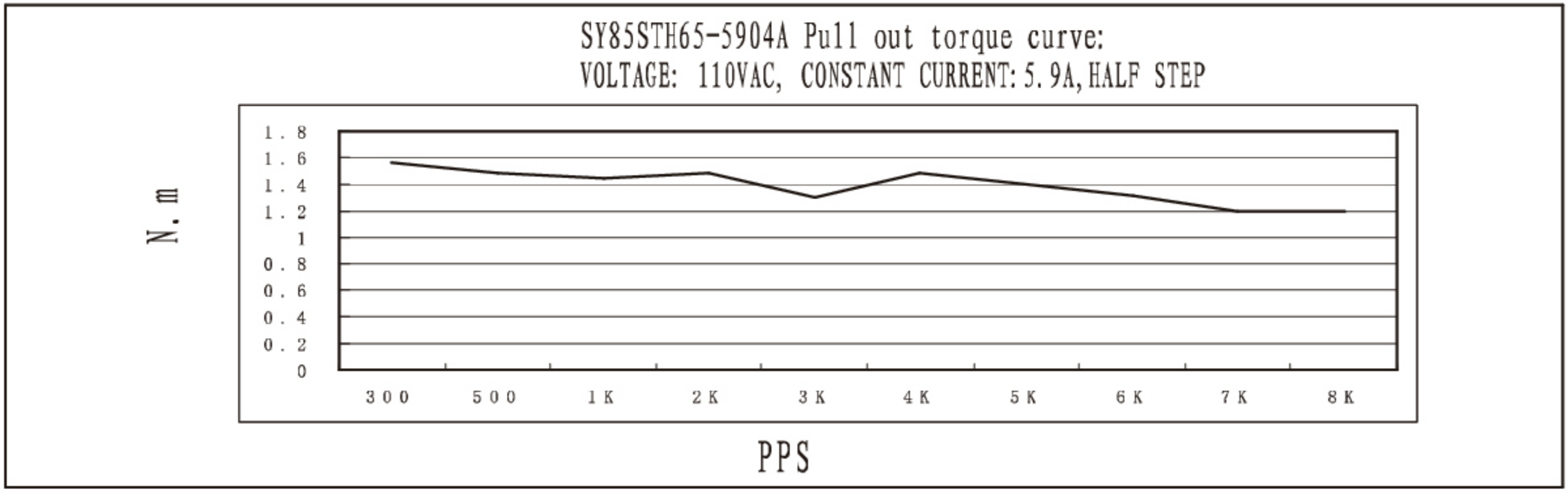
SY85STH118-6004A/4208A



SY85STH156-6204A/4208A



● Pull out torque curve:



● Pull out torque curve:

