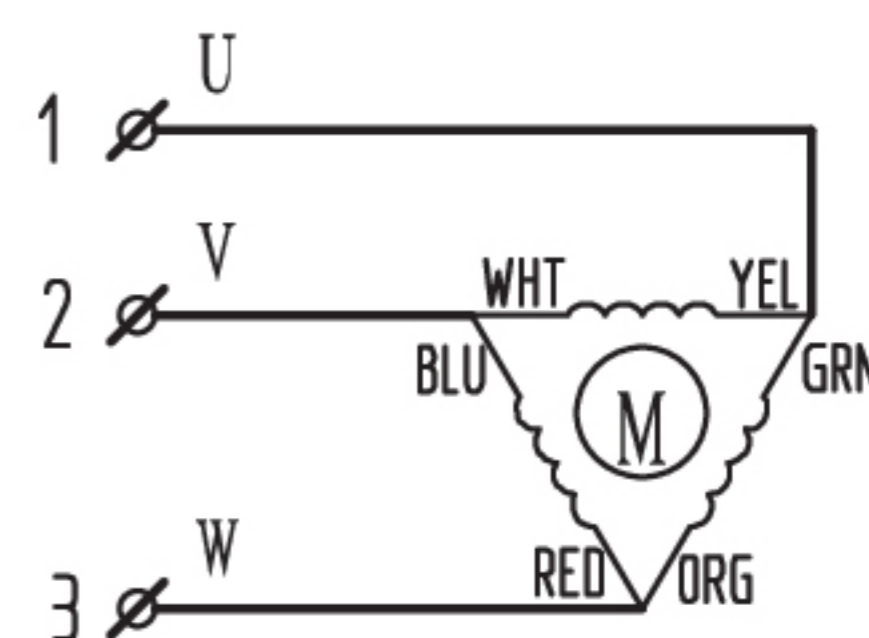
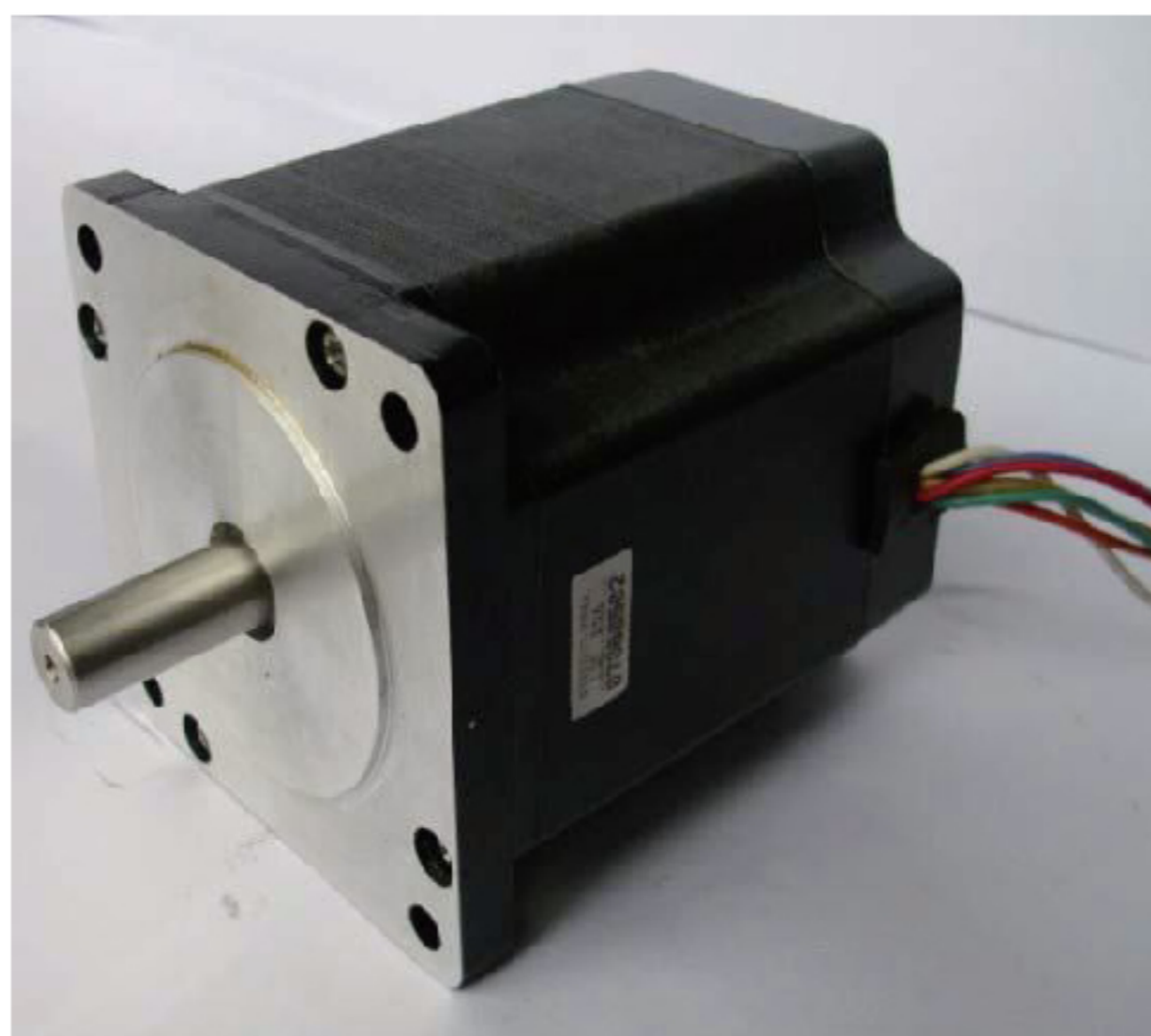


# 85mm 3 Phase Hybrid Stepping Motor

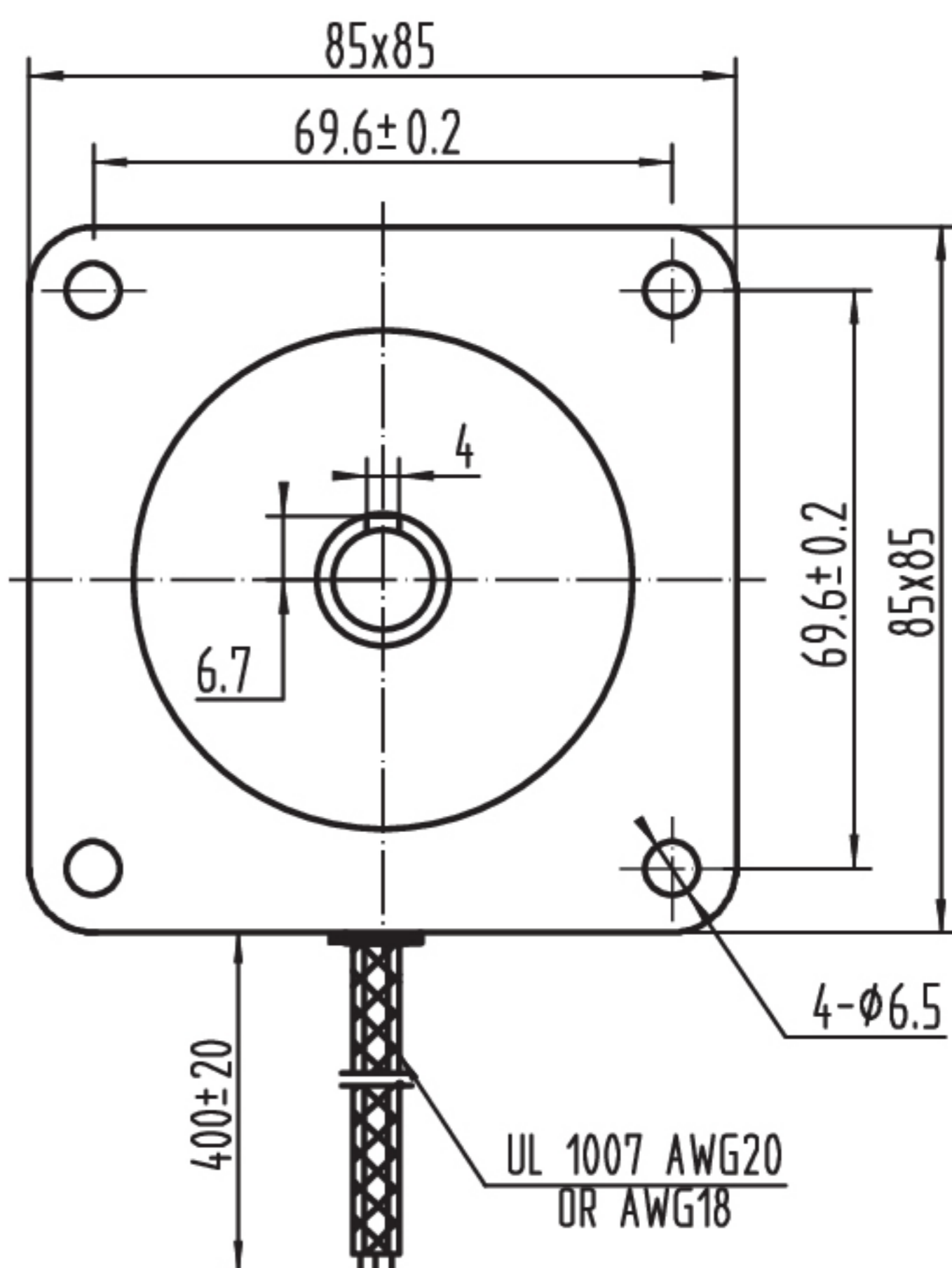
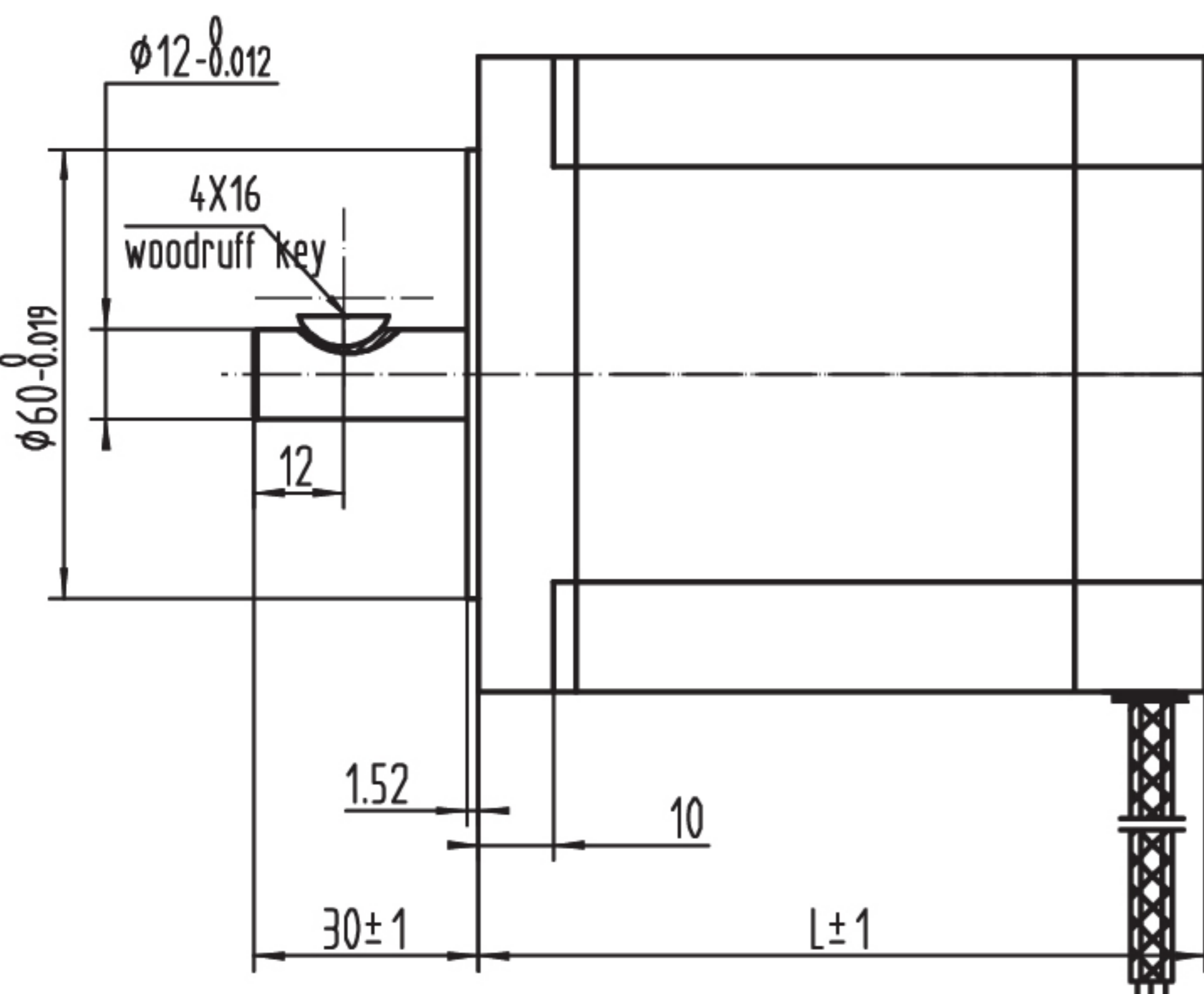
Step Angle	----	1.2°
Step Angle Accuracy	----	±5% (full step, no load)
Resistance Accuracy	----	±10%
Inductance Accuracy	----	±20%
Insulation Resistance	----	500VDC 100MΩMin
Dielectric Strength	----	500VAC 1 minute
Ambient Temperature	----	-20°C-- +50°C
Temperature Rise	----	80°C Max(rated current)
Shaft Axial Play	----	0.08mm Max(450g load)
Shaft Radial Play	----	0.02mm Max(450g load)
Max Axial Force	----	80N
Max Radial Force	----	220N(20mm from the flange)
Insulation Class	----	B



## \* Specifications

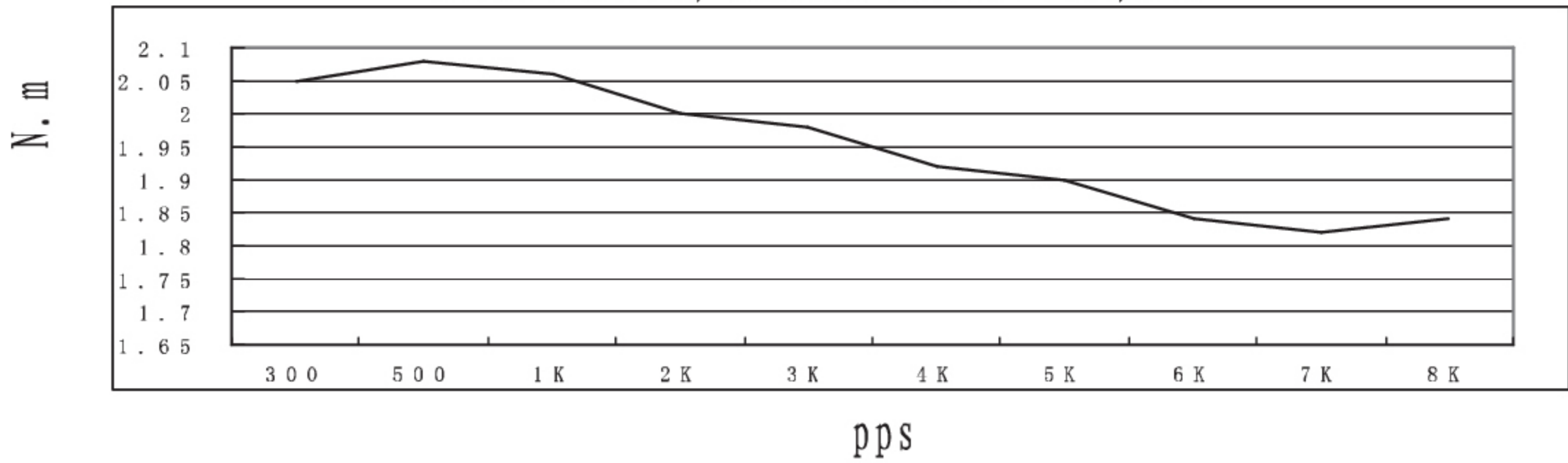
Model	Motor Codes	Voltage /Phase	Current /Phase	Resistance /Phase	Inductance /Phase	Holding Torque	NO. of Leads	Rotor Inertia	Weight	Detent Torque	Length
Units		V	A	Ω	mH	N.m		g. cm <sup>2</sup>	Kg	Kg-cm	mm
SY853P67-1756A	120067000	7.44	1.75	4.25	12.3	2.26	6	1100	1.9	1.0	67
SY853P97-2006A	120097000	10.8	2.0	5.4	23	4.52	6	1400	3.1	2.0	97
SY853P97-5806A	120097001	5.22	5.8	0.9	3.2		6				
SY853P97-5206A	120097002	5.72	5.2	1.1	6.8		6				
SY853P127-2256A	120127000	20.25	2.25	9.0	41	6.78	6	2700	4.3	3.0	127
SY853P127-5206A	120127001	14.3	5.2	2.75	13.7		6				

## \* Dimension

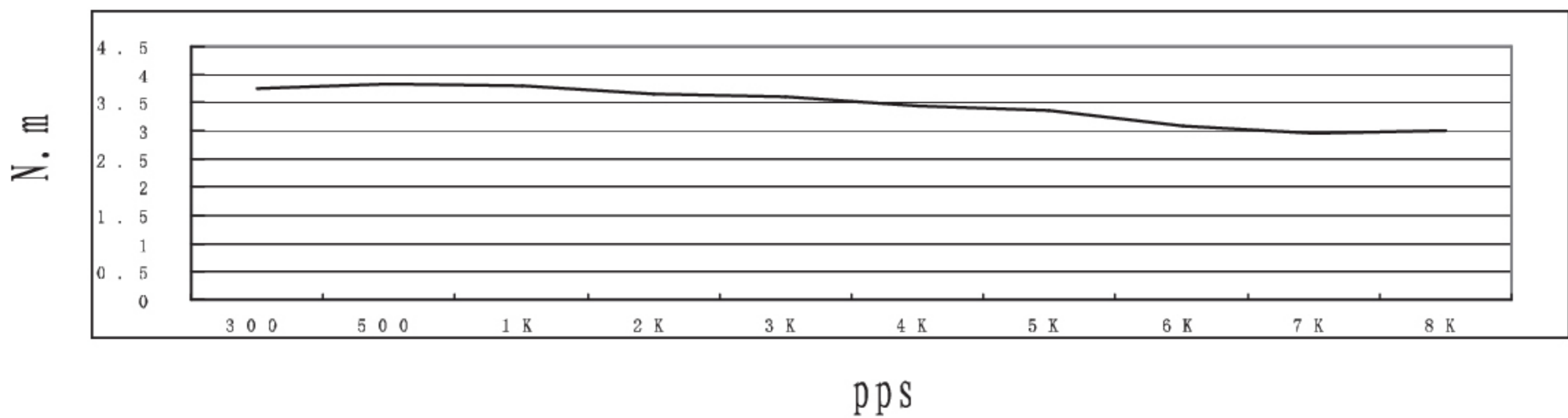


- Pull out torque curve:

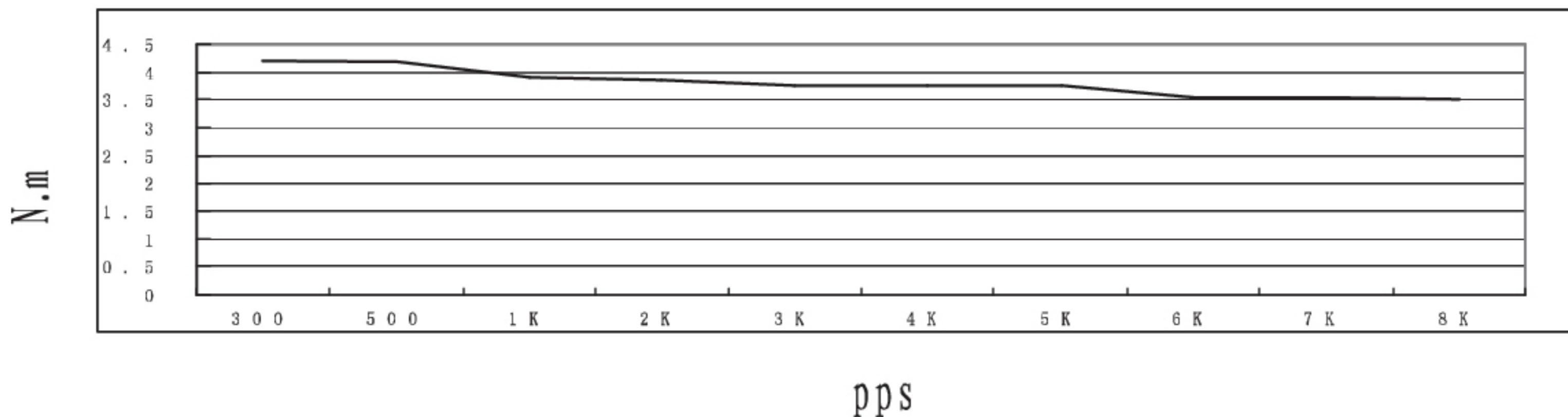
SY853P67-1756A Pull out torque curve:  
 VOLTAGE: 220VAC, CONSTANT CURRENT: 1.75A, 0.36°



SY853P97-2006A Pull out torque curve:  
 VOLTAGE: 220VAC, CONSTANT CURRENT: 2.0A, 0.36°



SY853P97-5806A Pull out torque curve:  
 VOLTAGE: 220VAC, CONSTANT CURRENT: 5.8A, 0.36°



● Pull out torque curve:

