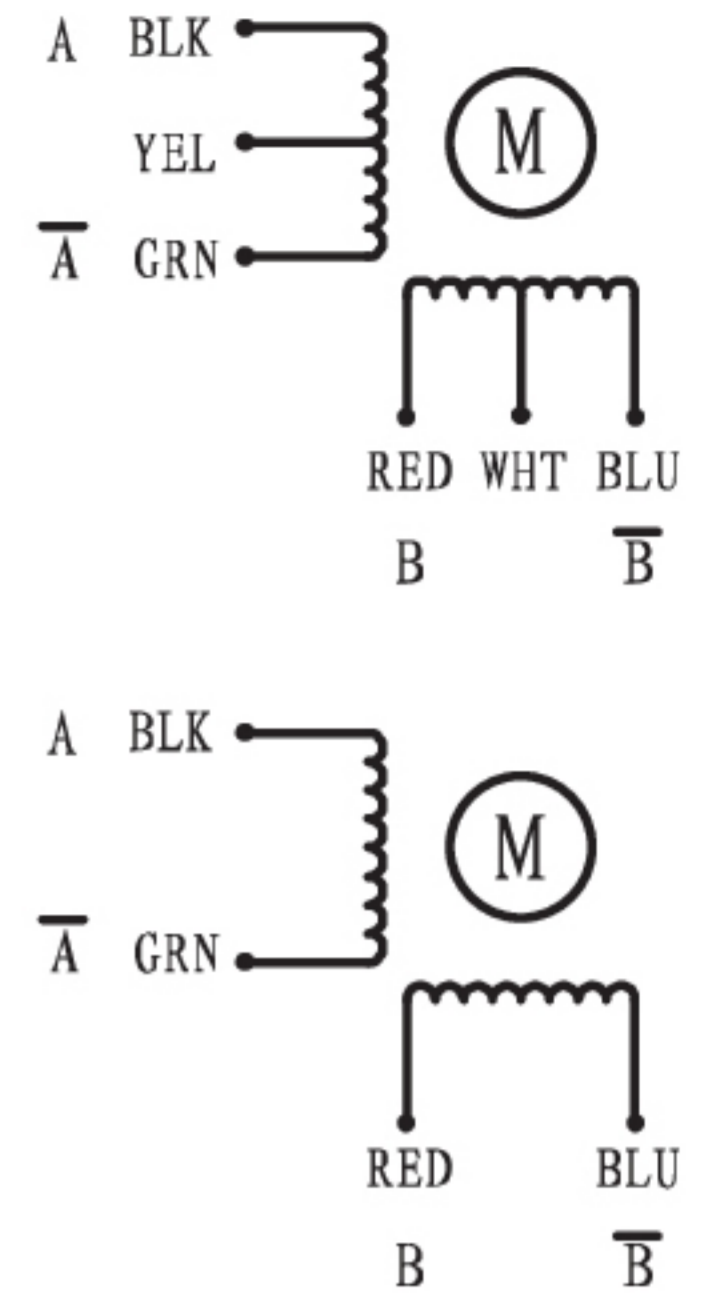


57mm 2 Phase Hybrid Stepping Motor

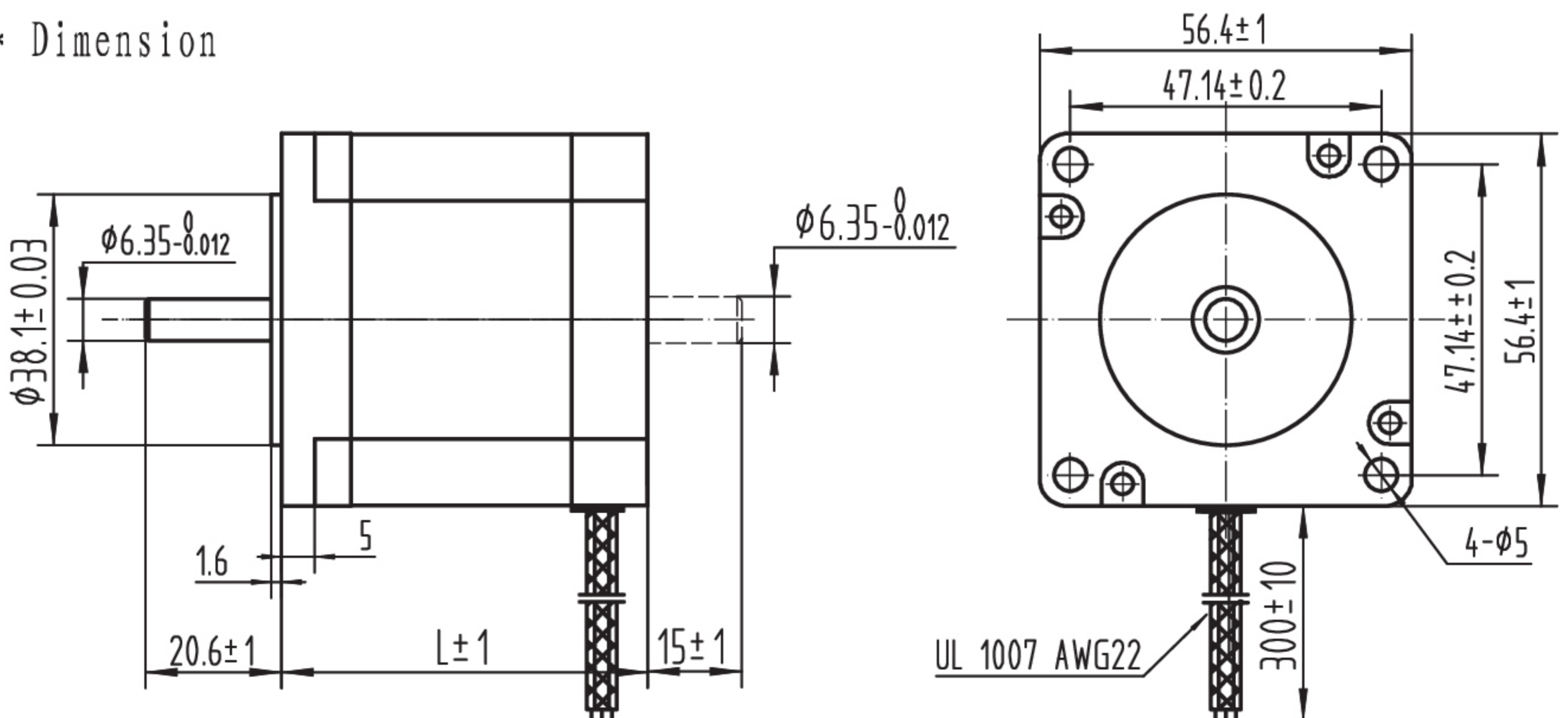
Step Angle	----	1.8°
Step Angle Accuracy	----	±5% (full step, no load)
Resistance Accuracy	----	±10%
Inductance Accuracy	----	±20%
Insulation Resistance	----	500VDC 100MΩMin
Dielectric Strength	----	500VAC 1 minute
Ambient Temperature	----	-20℃-- +50℃
Temperature Rise	----	80℃ Max(rated current)
Shaft Axial Play	----	0.08mm Max(450g load)
Shaft Radial Play	----	0.02mm Max(450g load)
Max Axial Force	----	15N
Max Radial Force	----	75N(20mm from the flange)
Insulation Class	----	B



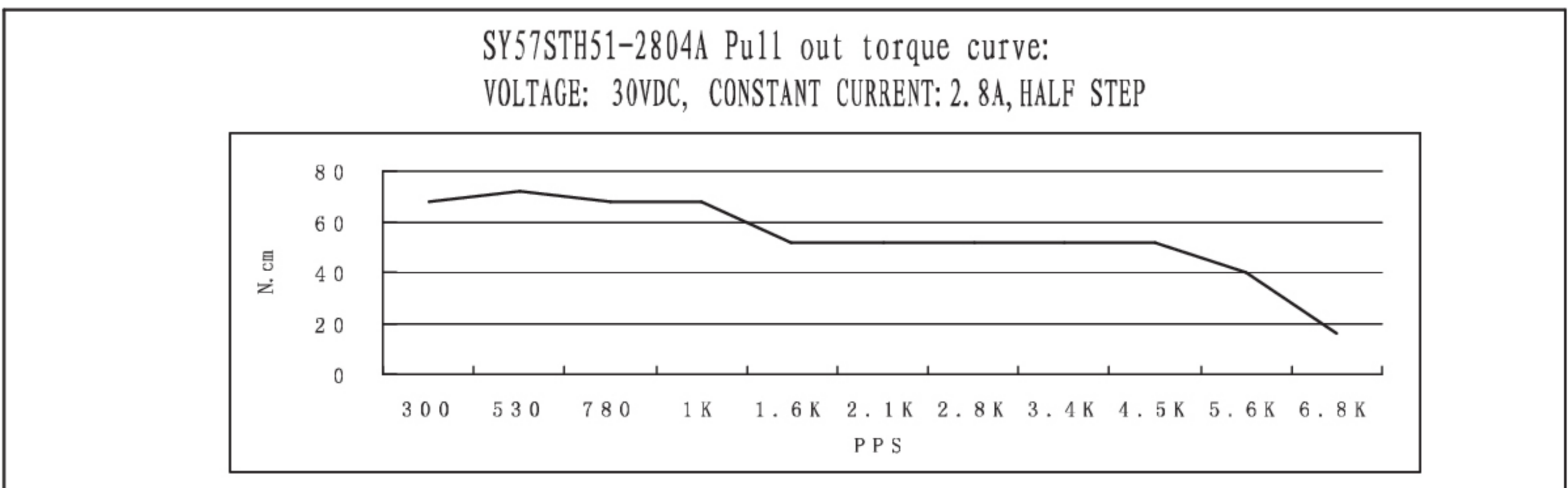
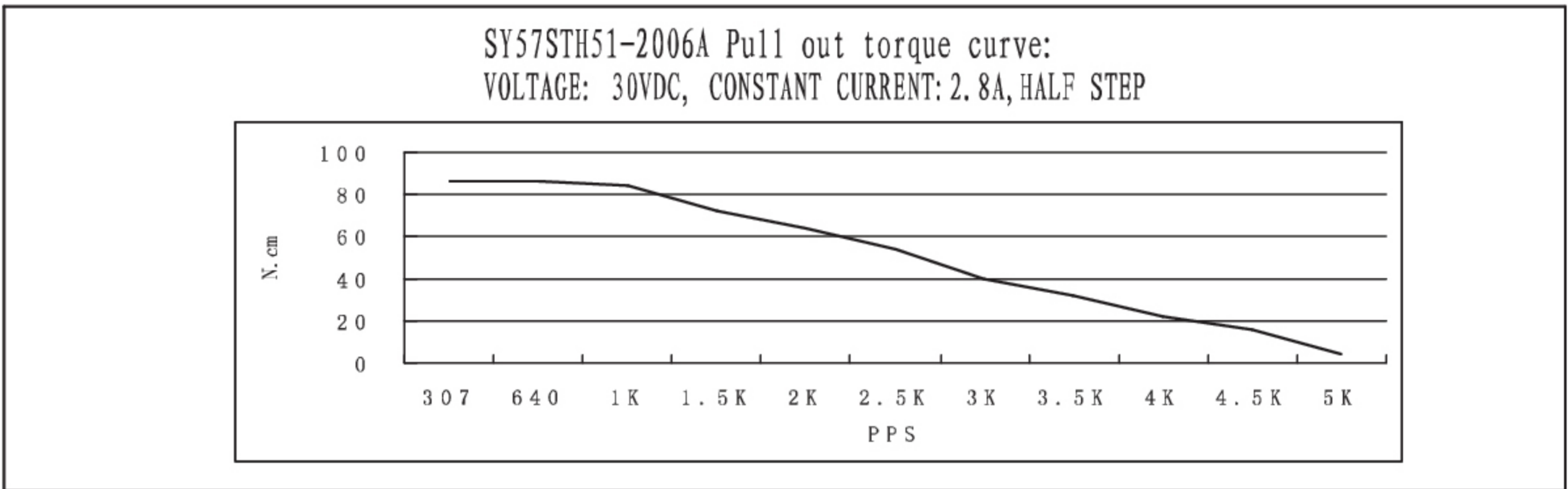
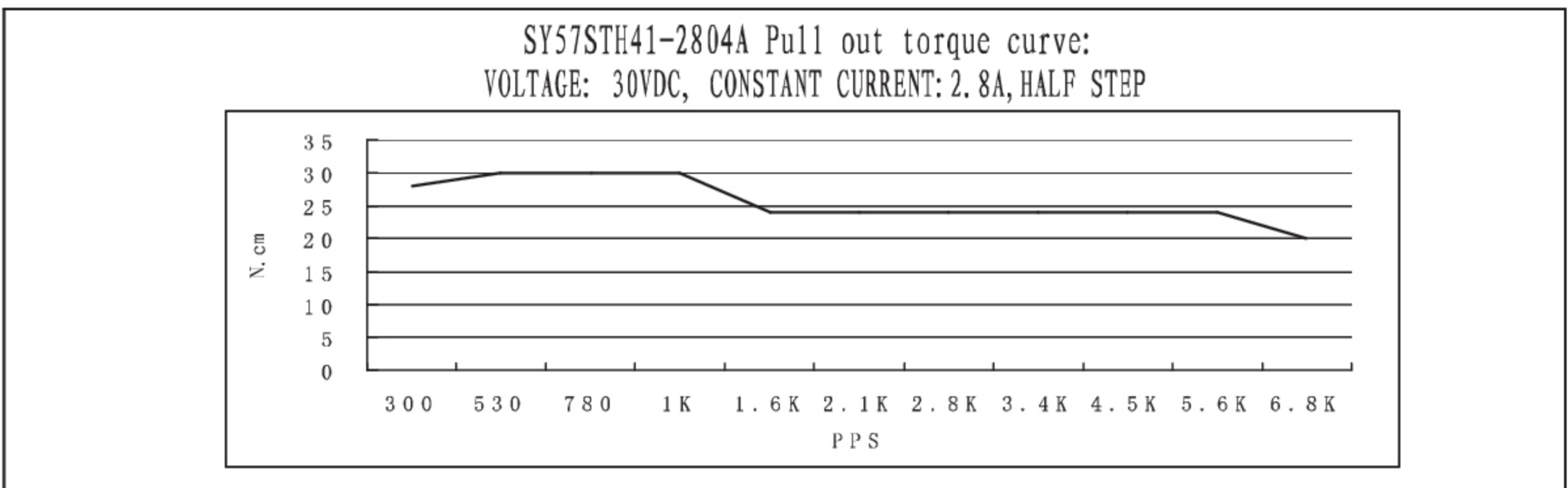
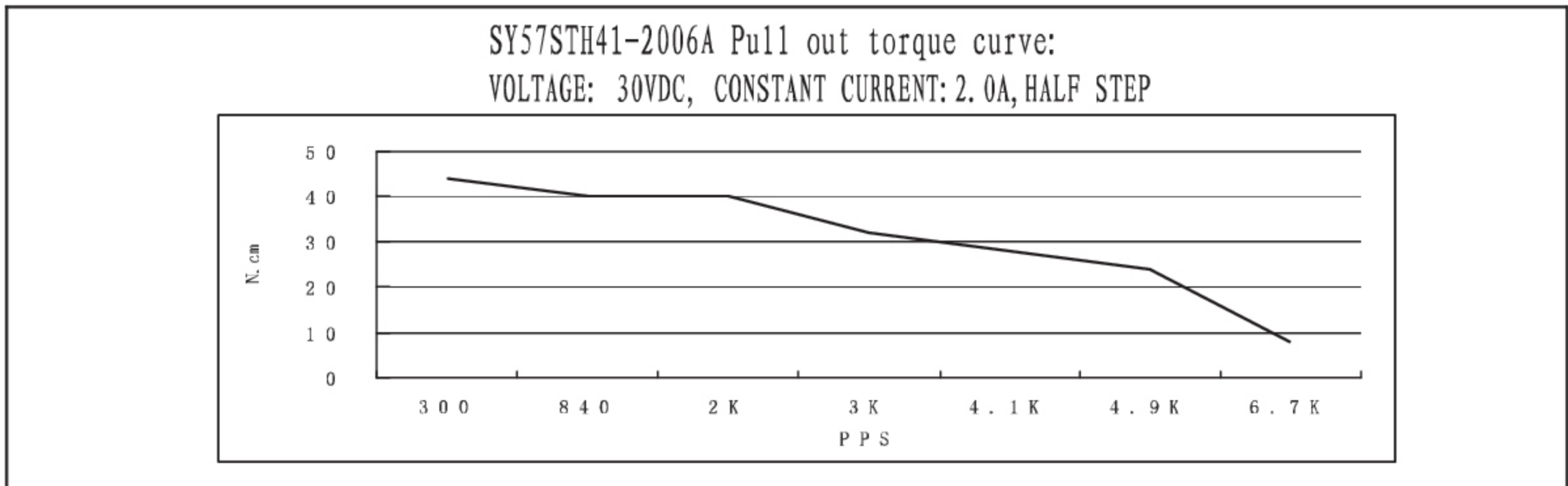
* Specifications

Model	Motor Codes	Voltage /Phase	Current /Phase	Resistance /Phase	Inductance /Phase	Holding Torque	NO. of Leads	Rotor Inertia	Weight	Detent Torque	Length
Units		V	A	Ω	mH	N. cm		g. cm ²	Kg	Kg-cm	mm
SY57STH41-2006A	080041001	2.8	2	1.4	1.4	39	6	120	0.45	0.21	41
SY57STH41-2804A	080041003	2	2.8	0.7	1.4	55	4				
SY57STH51-2006A	080051001	3.3	2	1.65	2.2	72	6	275	0.61	0.36	51
SY57STH51-2804A	080051003	2.3	2.8	0.83	2.2	101	4				
SY57STH56-2006A	080056001	3.6	2	1.8	2.5	90	6	300	0.7	0.4	56
SY57STH56-2804A	080056003	2.5	2.8	0.9	2.5	126	4				
SY57STH76-2006A	080076001	4.5	2	2.25	3.6	135	6	480	1	0.68	76
SY57STH76-2804A	080076003	3.2	2.8	1.13	3.6	189	4				

* Dimension



● Pull out torque curve:



● Pull out torque curve:

