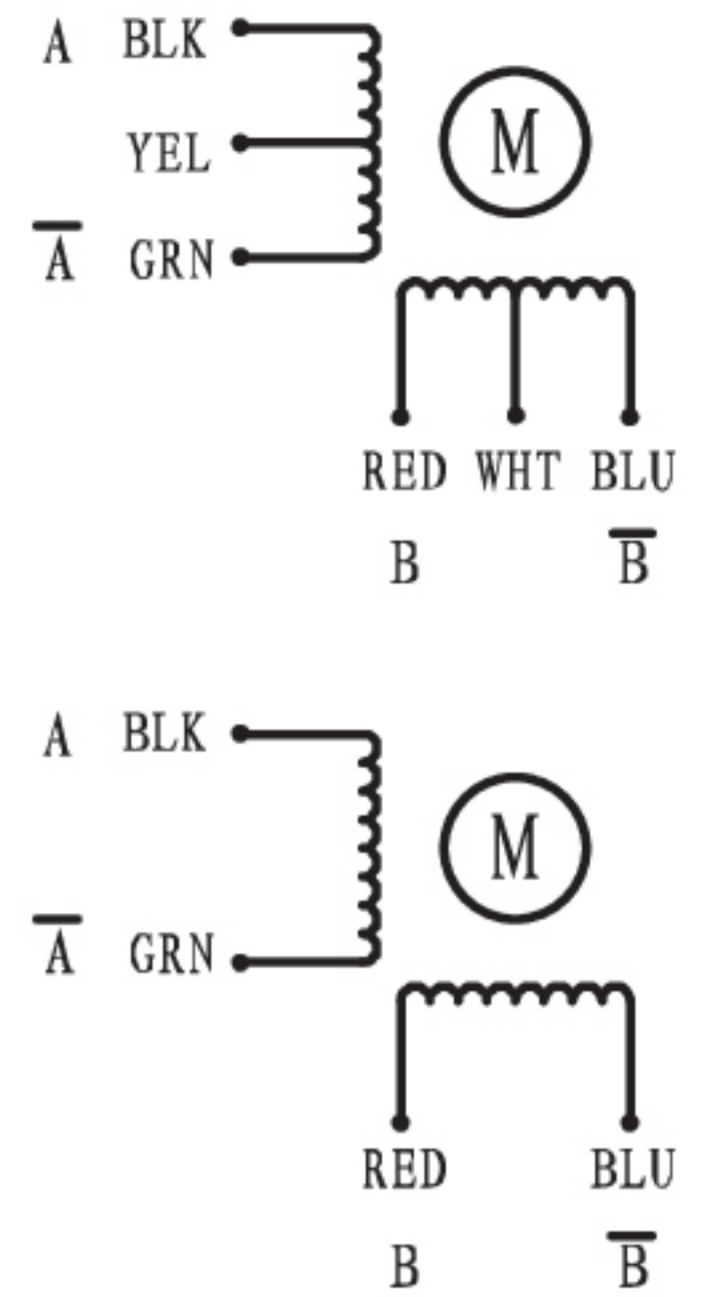
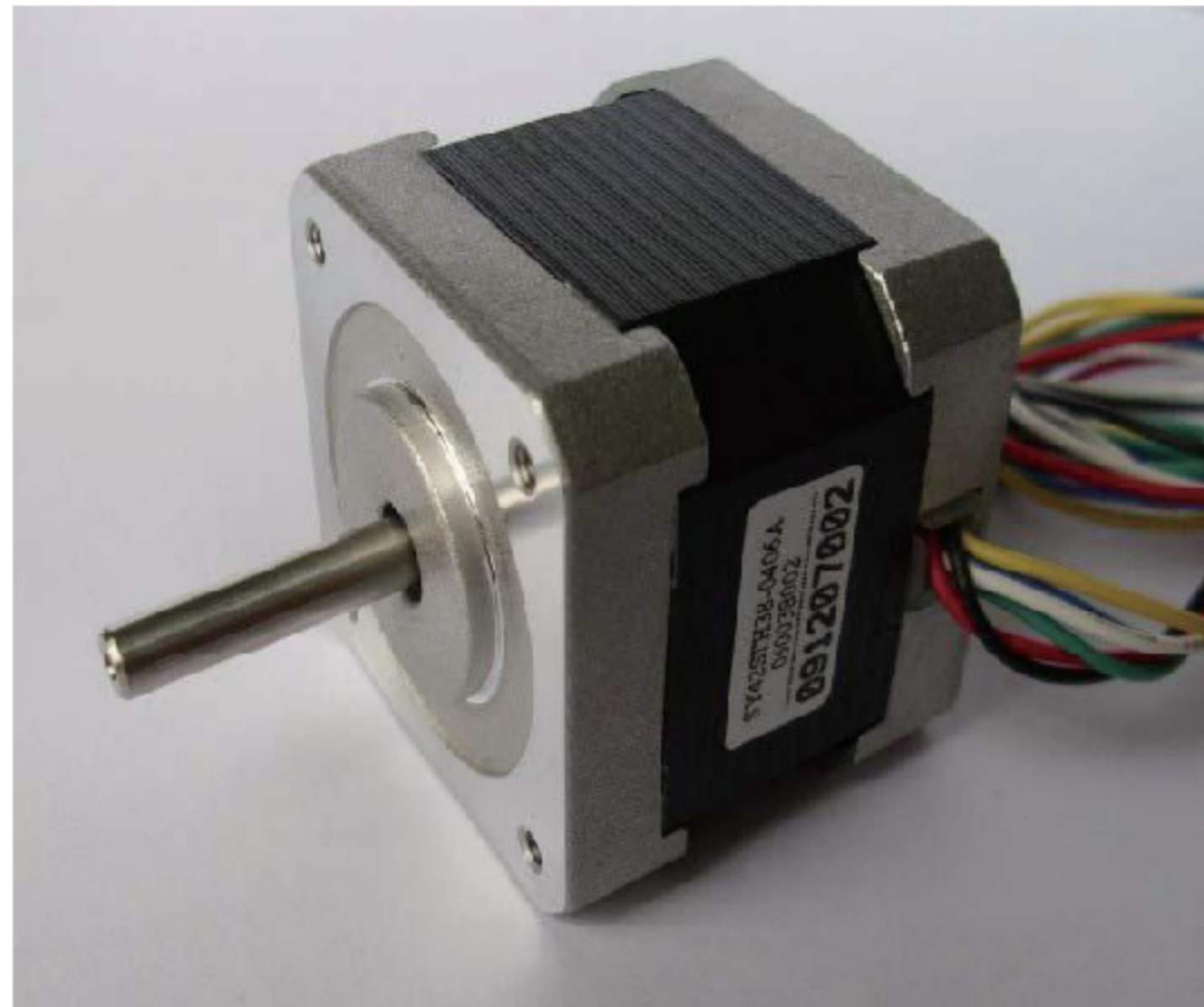


42mm 2 Phase Hybrid Stepping Motor

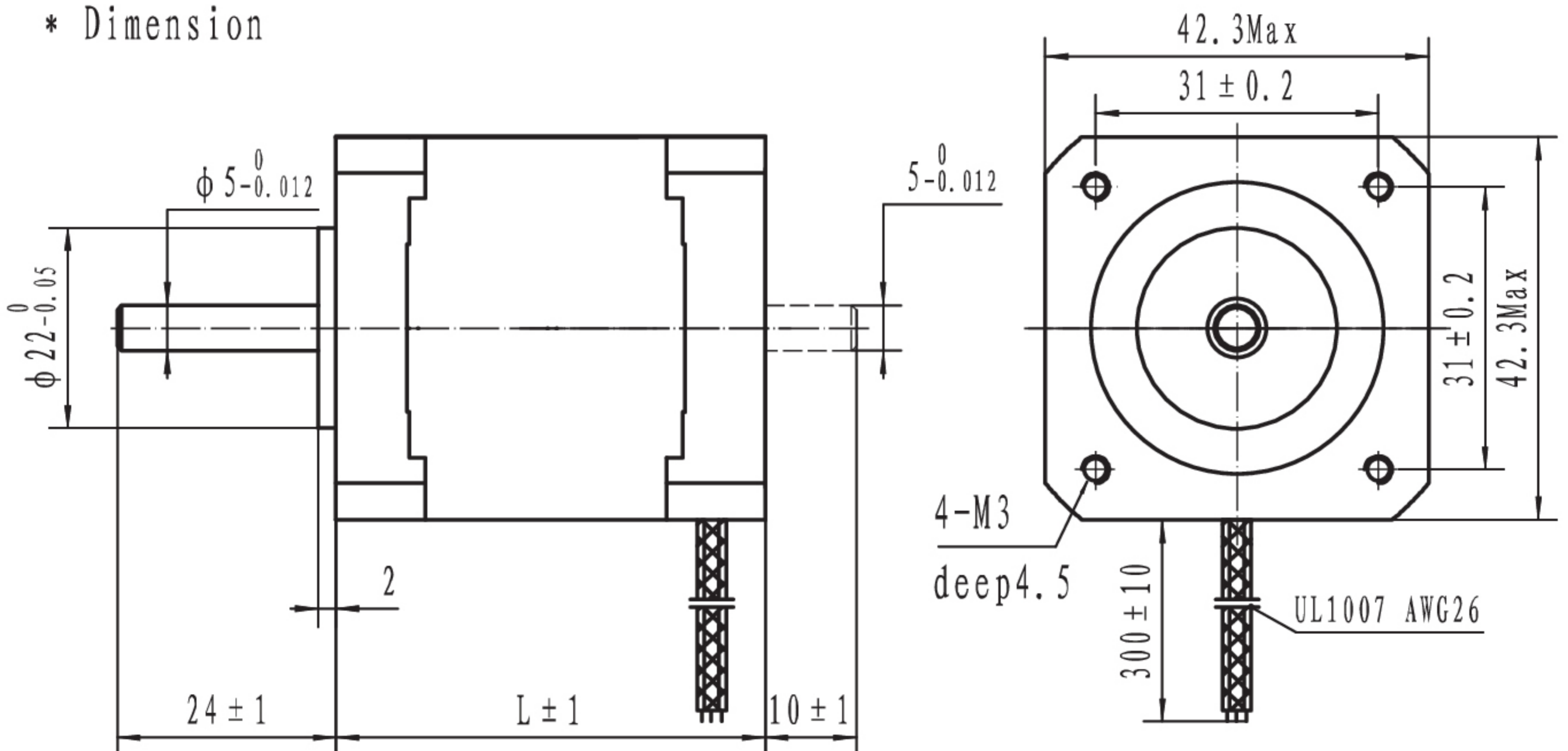
Step Angle	----	1.8°
Step Angle Accuracy	----	±5% (full step, no load)
Resistance Accuracy	----	±10%
Inductance Accuracy	----	±20%
Insulation Resistance	----	500VDC 100MΩMin
Dielectric Strength	----	500VAC 1 minute
Ambient Temperature	----	-20°C-- +50°C
Temperature Rise	----	80°C Max(rated current)
Shaft Axial Play	----	0.08mm Max(450g load)
Shaft Radial Play	----	0.02mm Max(450g load)
Max Axial Force	----	10N
Max Radial Force	----	28N(20mm from the flange)
Insulation Class	----	B



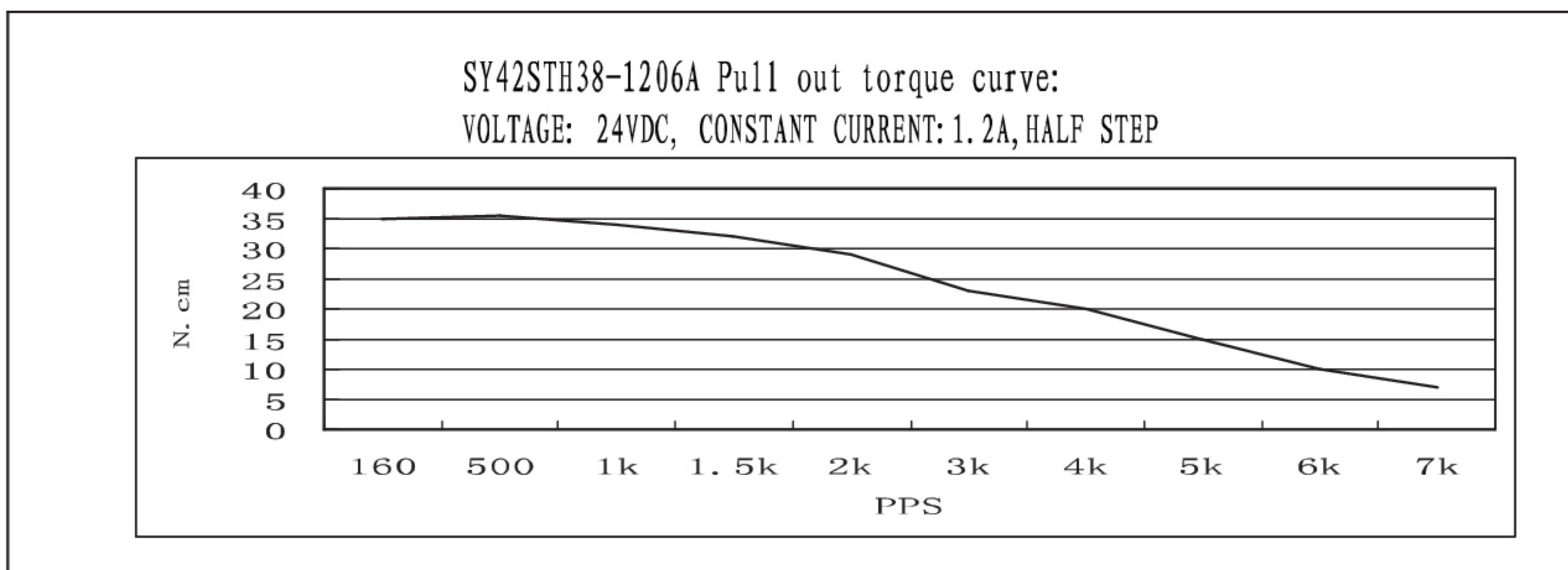
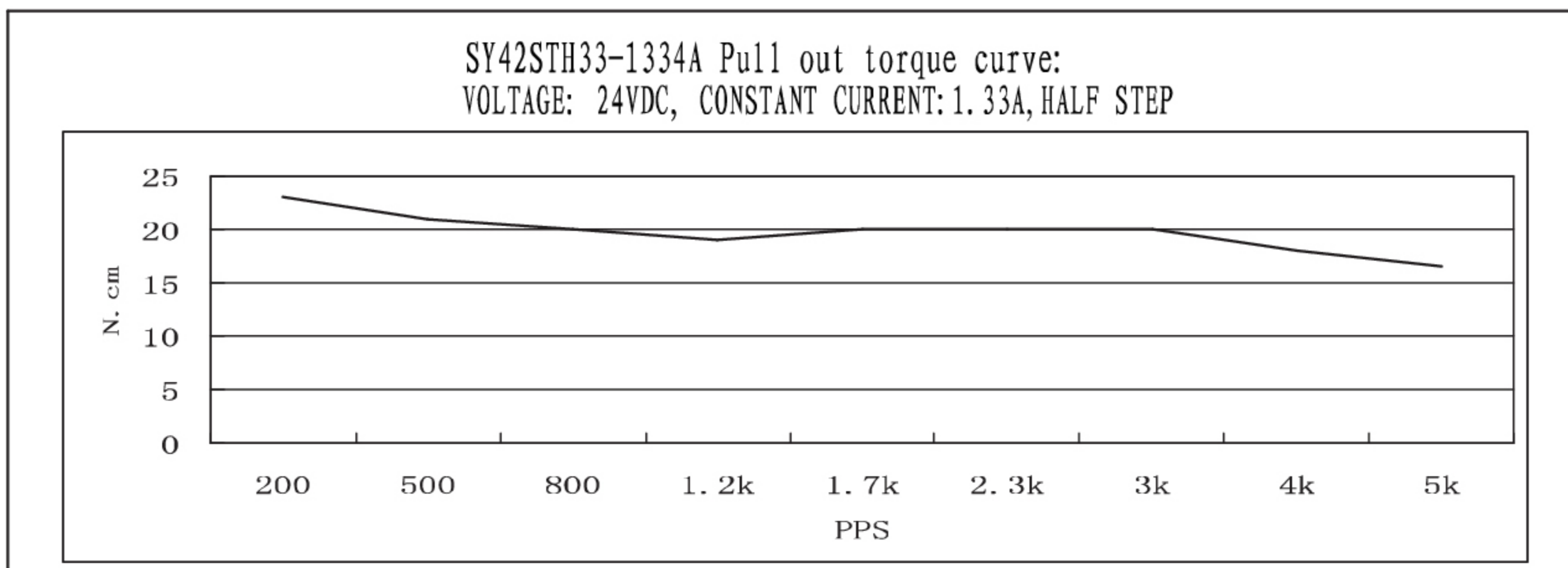
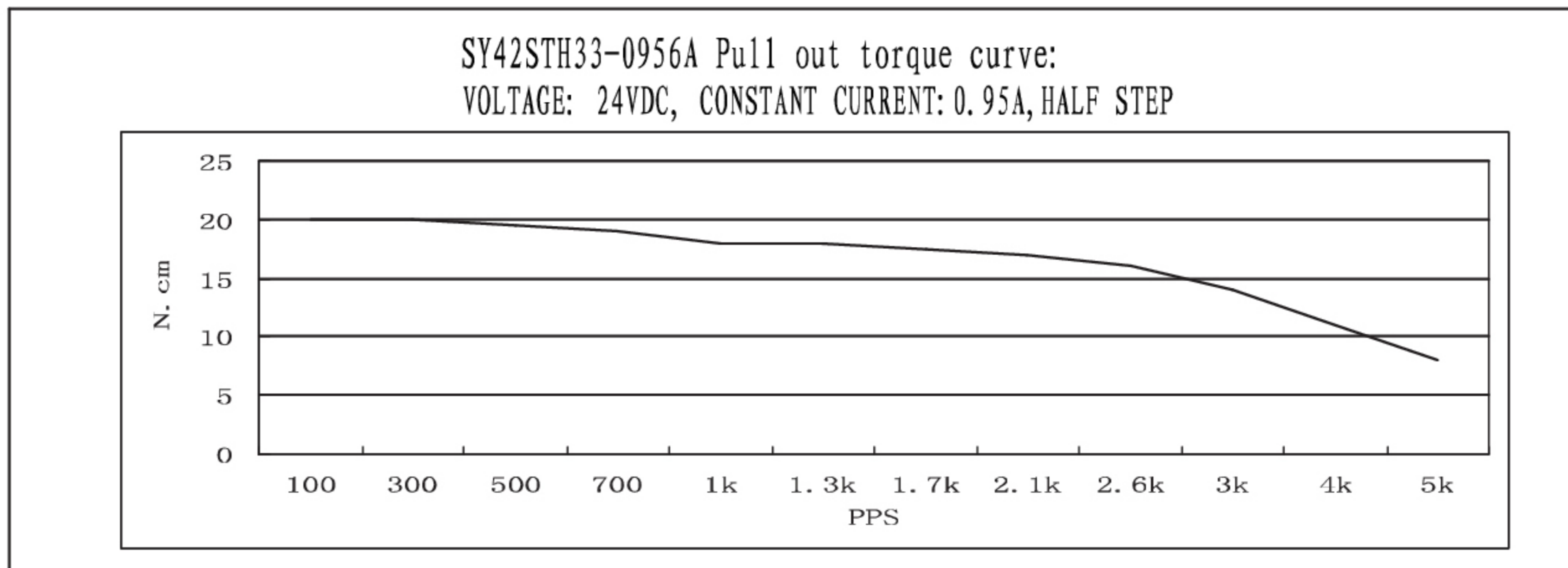
* Specifications

Model	Motor Codes	Voltage /Phase	Current /Phase	Resistance/Phase	Inductance /Phase	Holding Torque	NO. of Leads	Rotor Inertia	Weight	Length
Units		V	A	Ω	mH	N. cm		g. cm ²	Kg	mm
SY42STH33-0956A	060033000	4	0.95	4.2	2.5	16	6	35	0.22	33
SY42STH33-1334A	060033003	2.8	1.33	2.1	2.5	22	4	35	0.22	33
SY42STH38-1206A	060038000	4	1.2	3.3	3.2	26	6	54	0.28	38
SY42STH38-1684A	060038003	2.8	1.68	1.65	3.2	36	4	54	0.28	38
SY42STH47-1206A	060047000	4	1.2	3.3	2.8	31.7	6	68	0.35	47
SY42STH47-1684A	060047003	2.8	1.68	1.65	2.8	44	4	68	0.35	47

* Dimension



● Pull out torque curve:



● Pull out torque curve:

