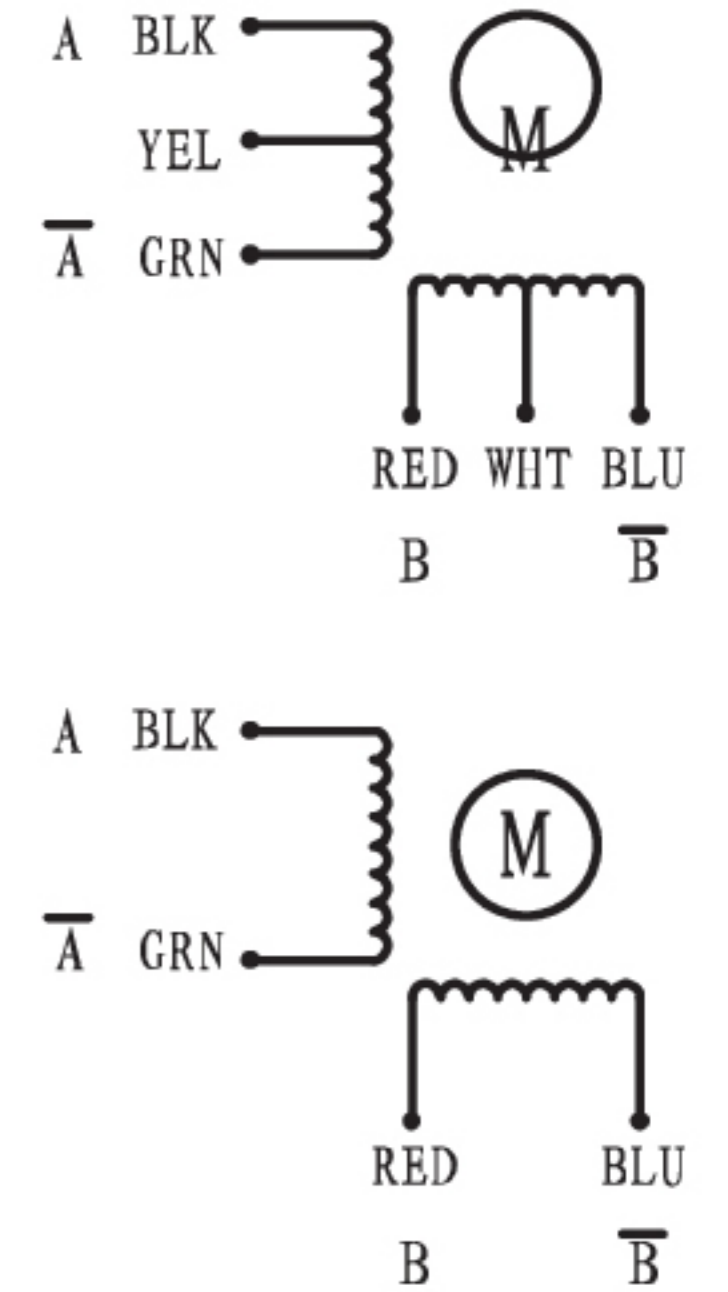


42mm 2 Phase Hybrid Stepping Motor

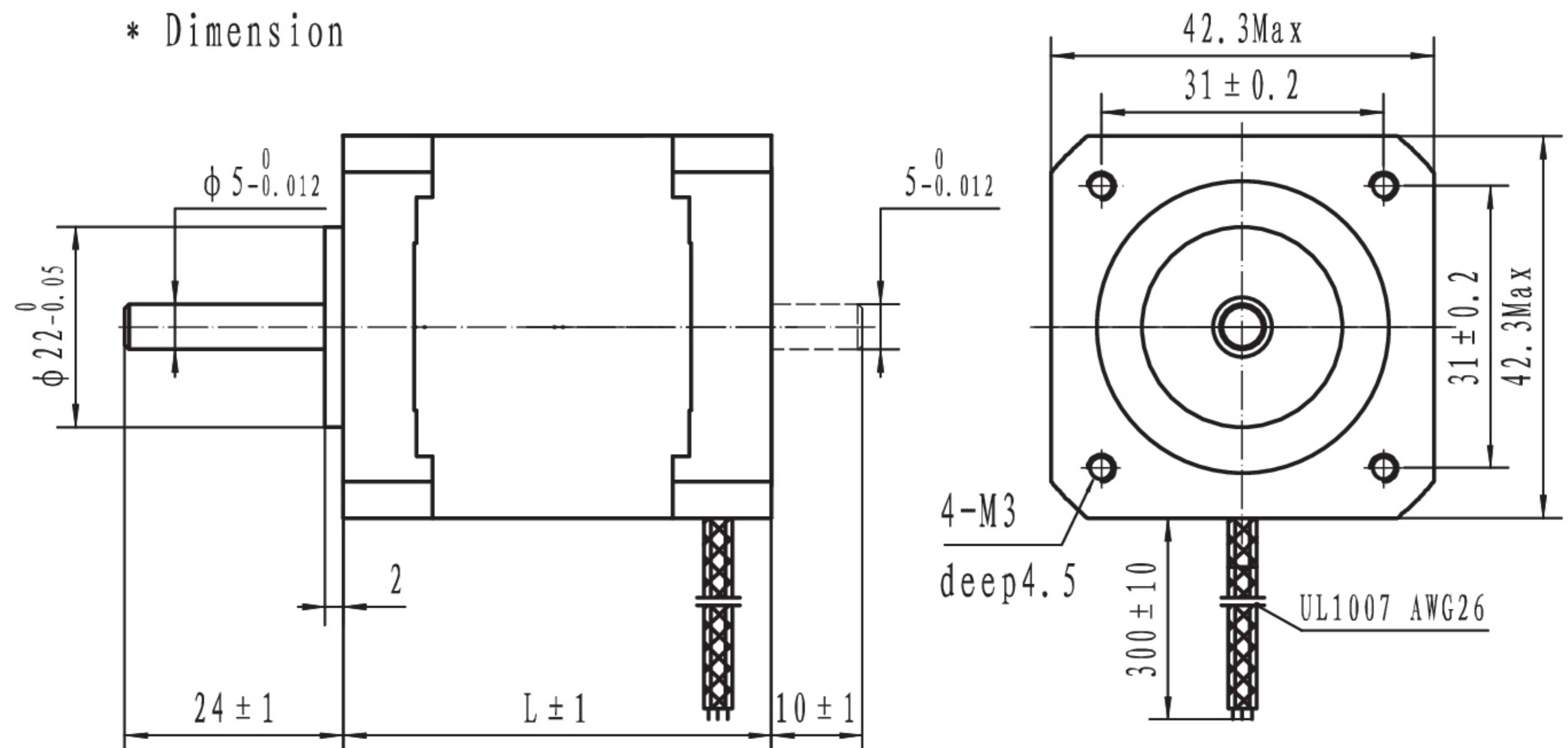
Step Angle	----	0.9°
Step Angle Accuracy	----	±5% (full step, no load)
Resistance Accuracy	----	±10%
Inductance Accuracy	----	±20%
Insulation Resistance	----	500VDC 100MΩMin
Dielectric Strength	----	500VAC 1 minute
Ambient Temperature	----	-20℃-- +50℃
Temperature Rise	----	80℃ Max(rated current)
Shaft Axial Play	----	0.08mm Max(450g load)
Shaft Radial Play	----	0.02mm Max(450g load)
Max Axial Force	----	10N
Max Radial Force	----	28N(20mm from the flange)
Insulation Class	----	B



* Specifications

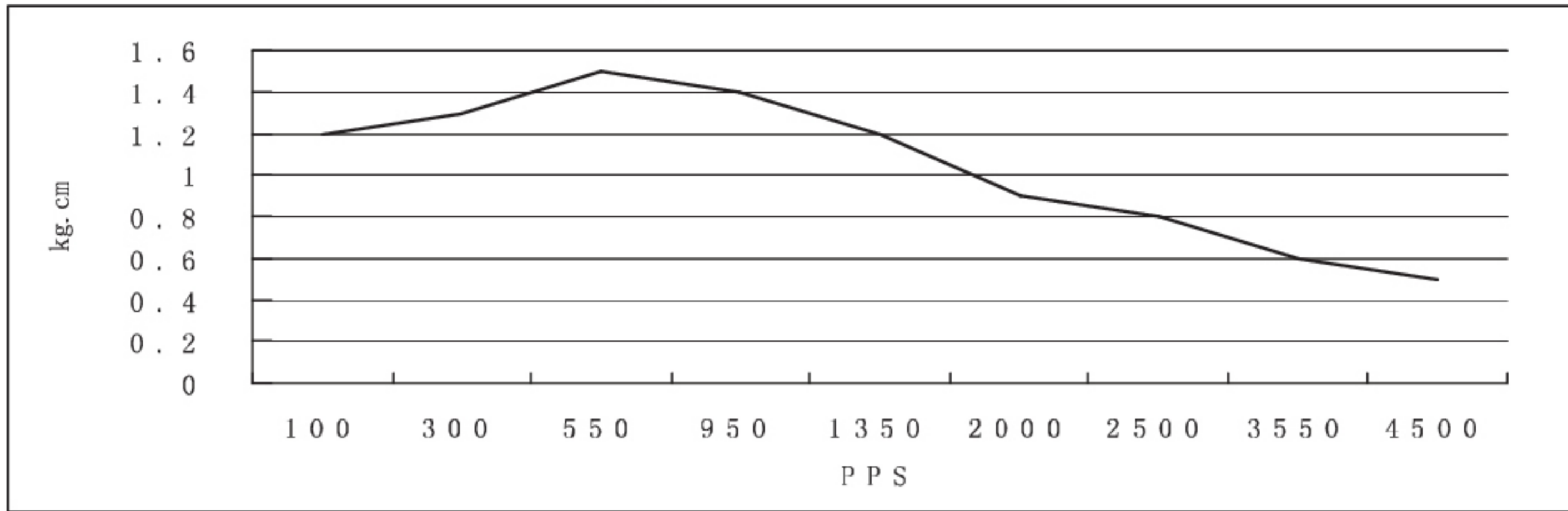
Model	Motor Codes	Voltage /Phase	Current /Phase	Resistance /Phase	Inductance /Phase	Holding Torque	NO. of Leads	Rotor Inertia	Weight	Length
Units		V	A	Ω	mH	N. cm		g. cm ²	Kg	mm
SY42STH33-0956MA	050033000	4	0.95	4.2	4	15.8	6	35	0.22	33
SY42STH33-1334MA	050033003	2.8	1.33	2.1	4.2	22	4	35	0.22	33
SY42STH38-1206MA	050038000	4	1.2	3.3	3.4	25.9	6	54	0.28	38
SY42STH38-0404MA	050038002	12	0.4	30	30	25.9	4	54	0.28	38
SY42STH47-1206MA	050047000	4	1.2	3.3	4	31.7	6	68	0.35	47
SY42STH47-0406MA	050047002	12	0.4	30	38	31.7	6	68	0.35	47

* Dimension

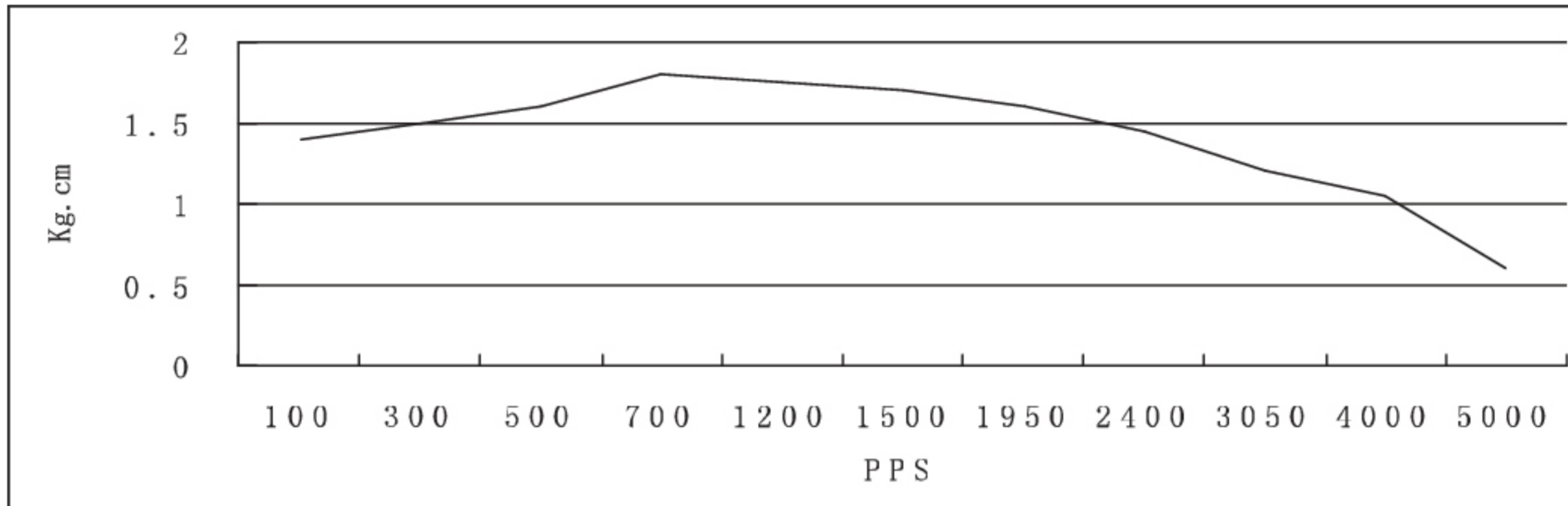


● Pull out torque curve:

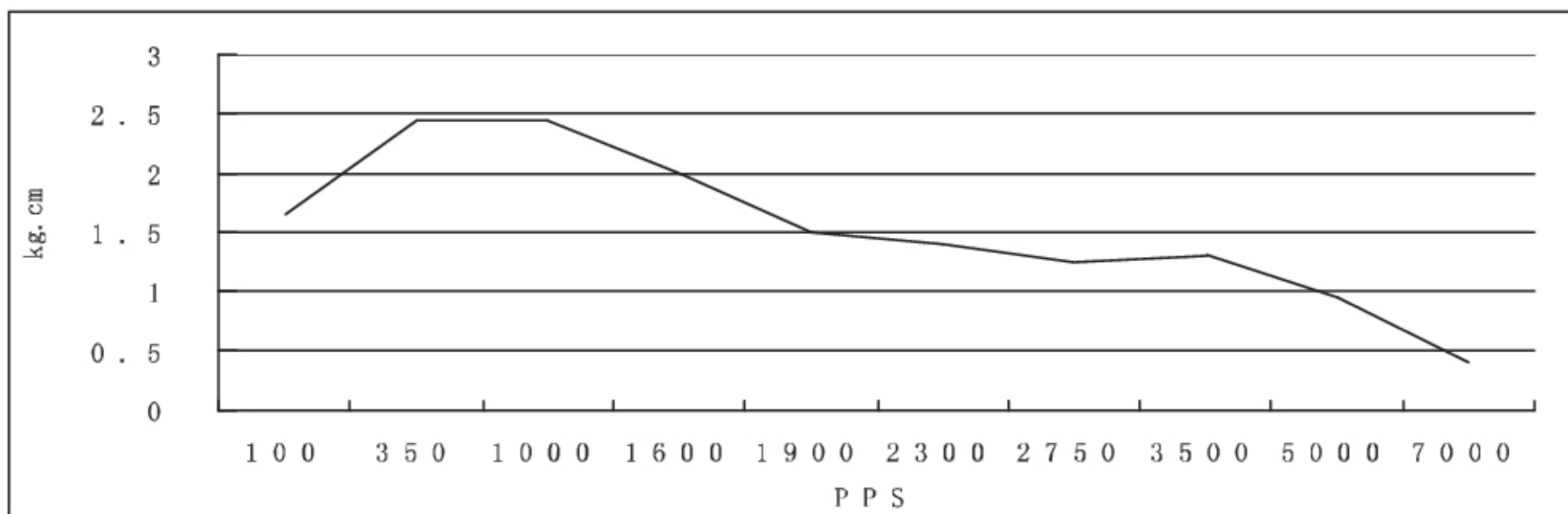
SY42STH33-0956MA Pull out torque curve:
VOLTAGE: 24VDC, CONSTANT CURRENT: 0.9A, HALF STEP



SY42STH33-1334MA Pull out torque curve:
VOLTAGE: 24VDC, CONSTANT CURRENT: 1.33A, HALF STEP

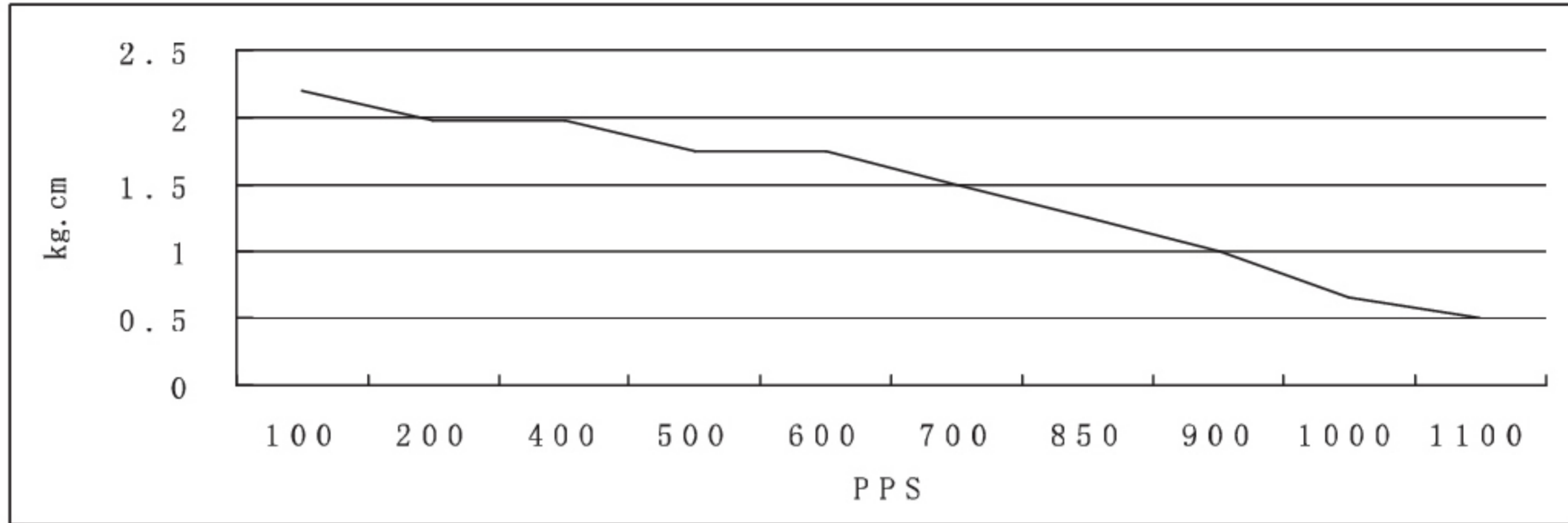


SY42STH38-1206MA Pull out torque curve:
VOLTAGE: 24VDC, CONSTANT CURRENT: 1.2A, HALF STEP

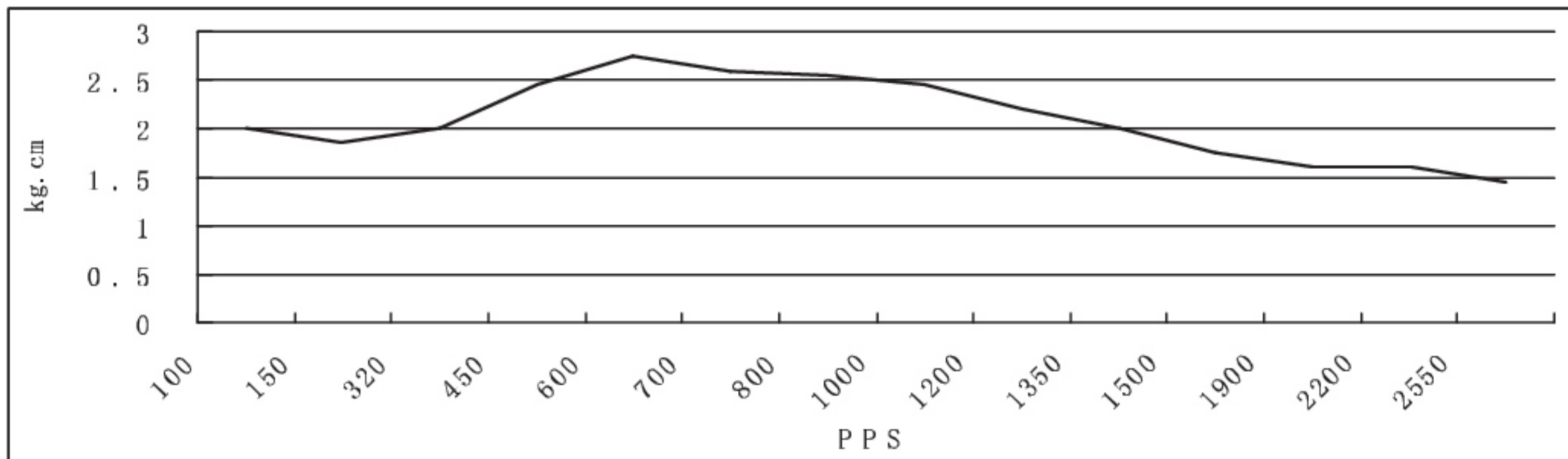


● Pull out torque curve:

SY42STH38-0404MA Pull out torque curve:
 VOLTAGE: 24VDC, CONSTANT CURRENT: 0.4A, HALF STEP



SY42STH47-1206MA Pull out torque curve:
 VOLTAGE: 24VDC, CONSTANT CURRENT: 1.2A, HALF STEP



S42STH47-0406MA Pull out torque curve:
 VOLTAGE: 24VDC, CONSTANT CURRENT: 0.4A, HALF STEP

