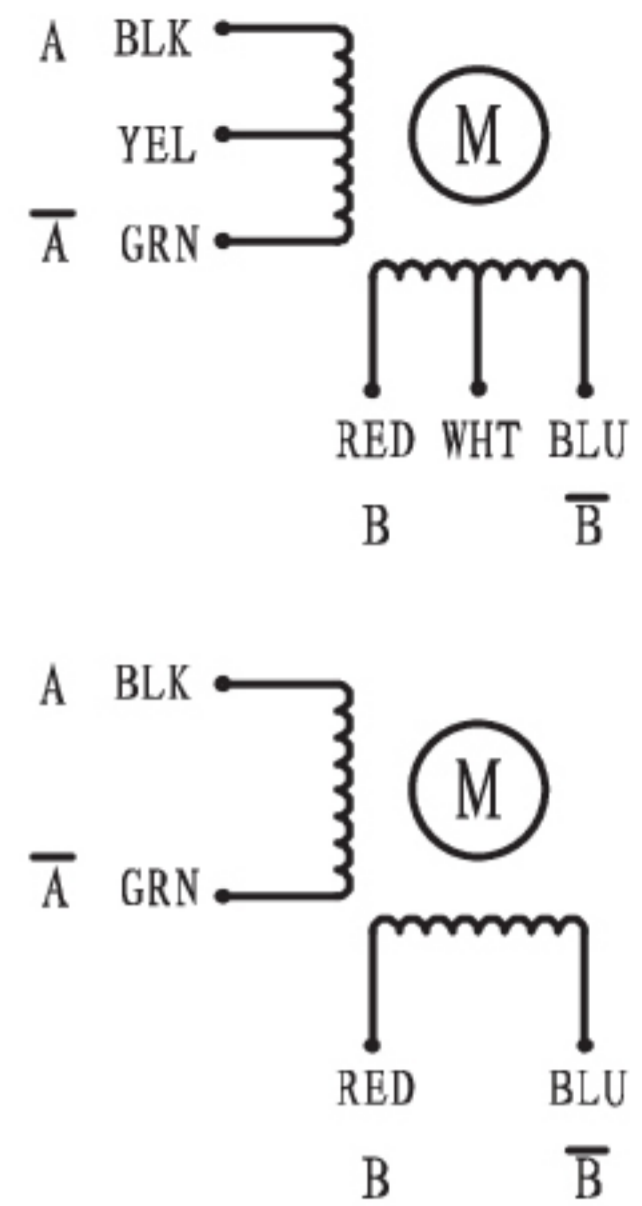
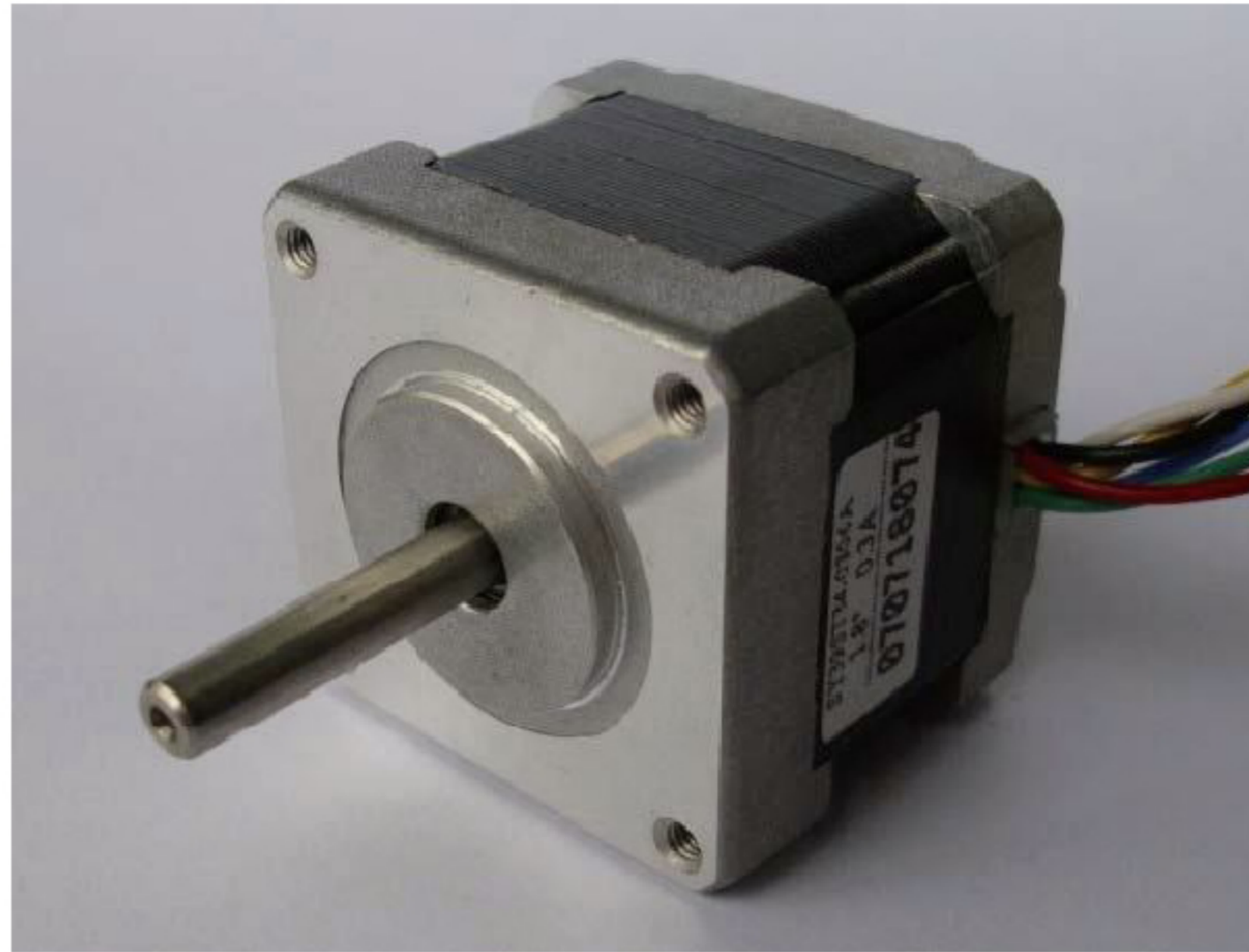


Stepper Motor

39mm 2 Phase Hybrid Stepping Motor

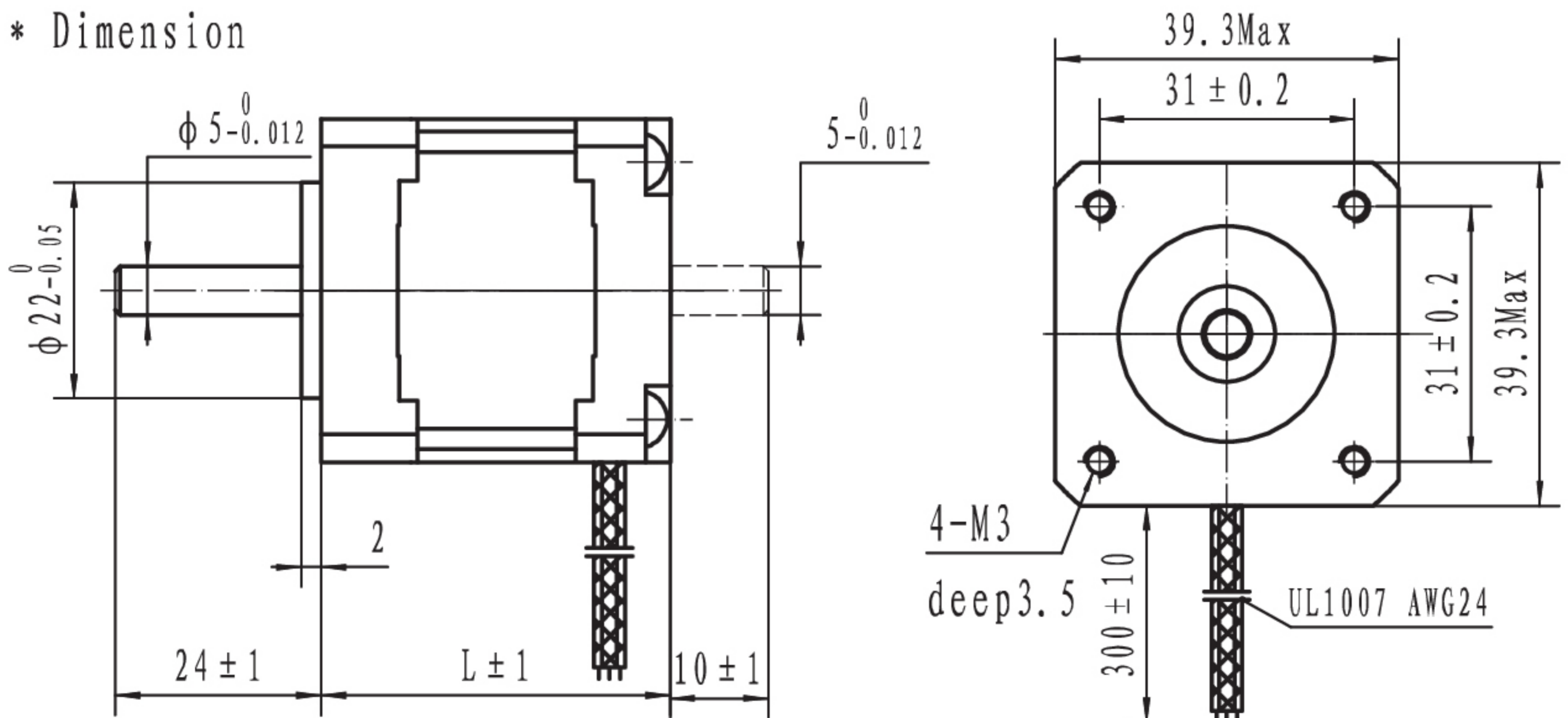
Step Angle	----	1.8°
Step Angle Accuracy	----	±5% (full step, no load)
Resistance Accuracy	----	±10%
Inductance Accuracy	----	±20%
Insulation Resistance	----	500VDC 100MΩMin
Dielectric Strength	----	500VAC 1 minute
Ambient Temperature	----	-20℃-- +50℃
Temperature Rise	----	80℃ Max(rated current)
Shaft Axial Play	----	0.08mm Max(450g load)
Shaft Radial Play	----	0.02mm Max(450g load)
Max Axial Force	----	10N
Max Radial Force	----	28N(20mm from the flange)
Insulation Class	----	B



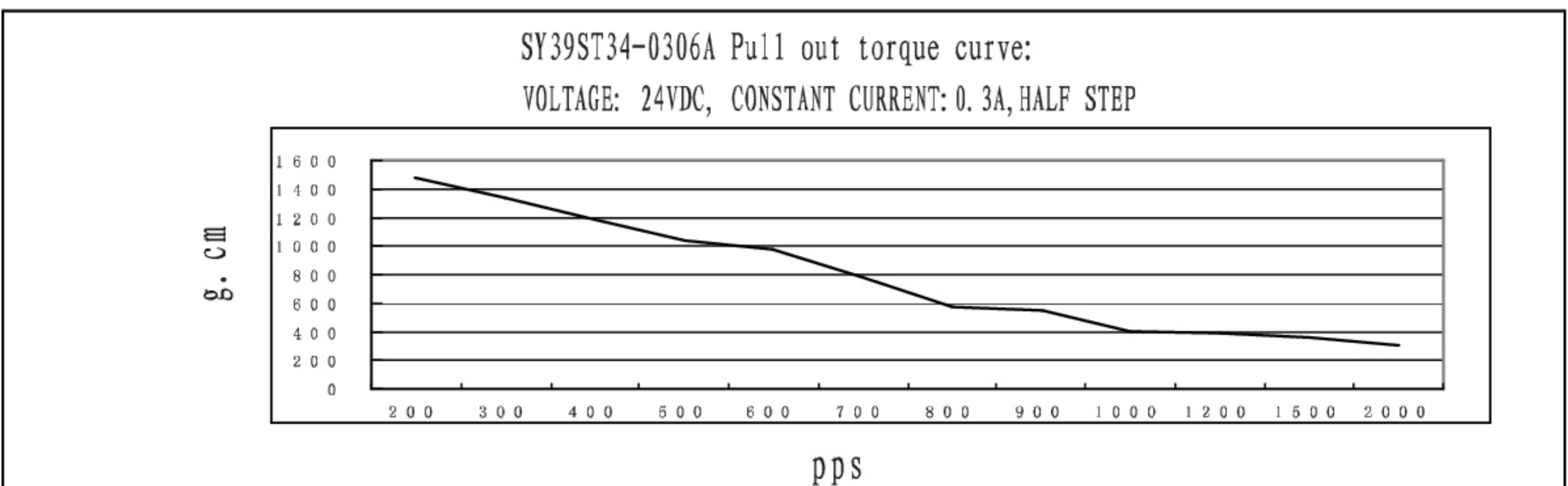
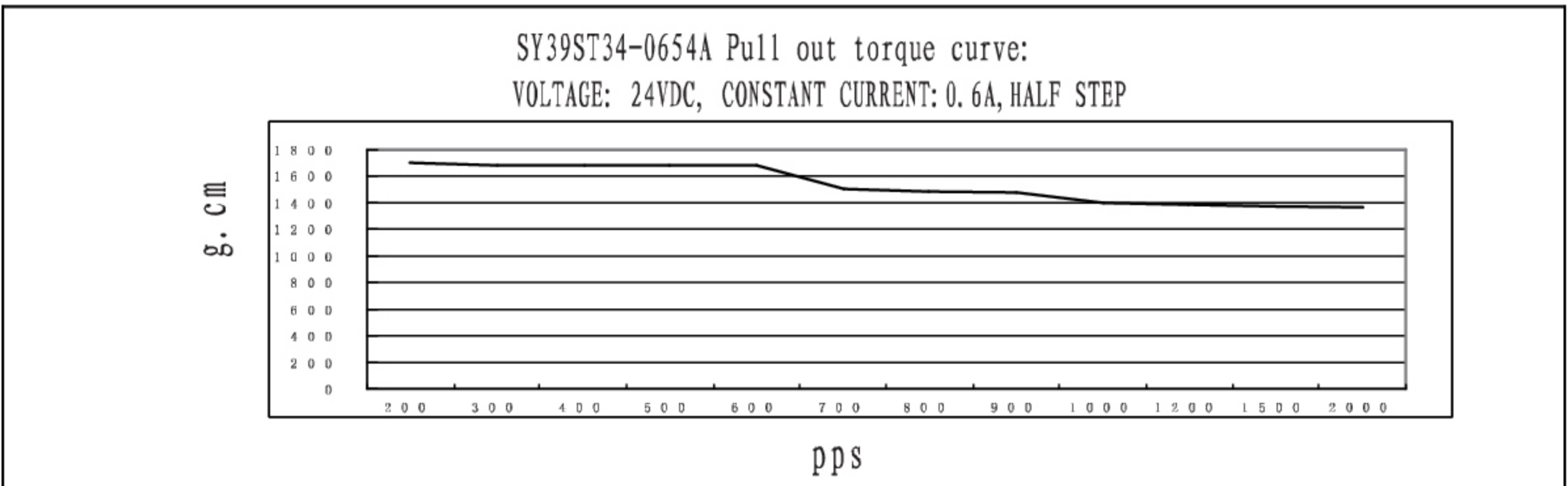
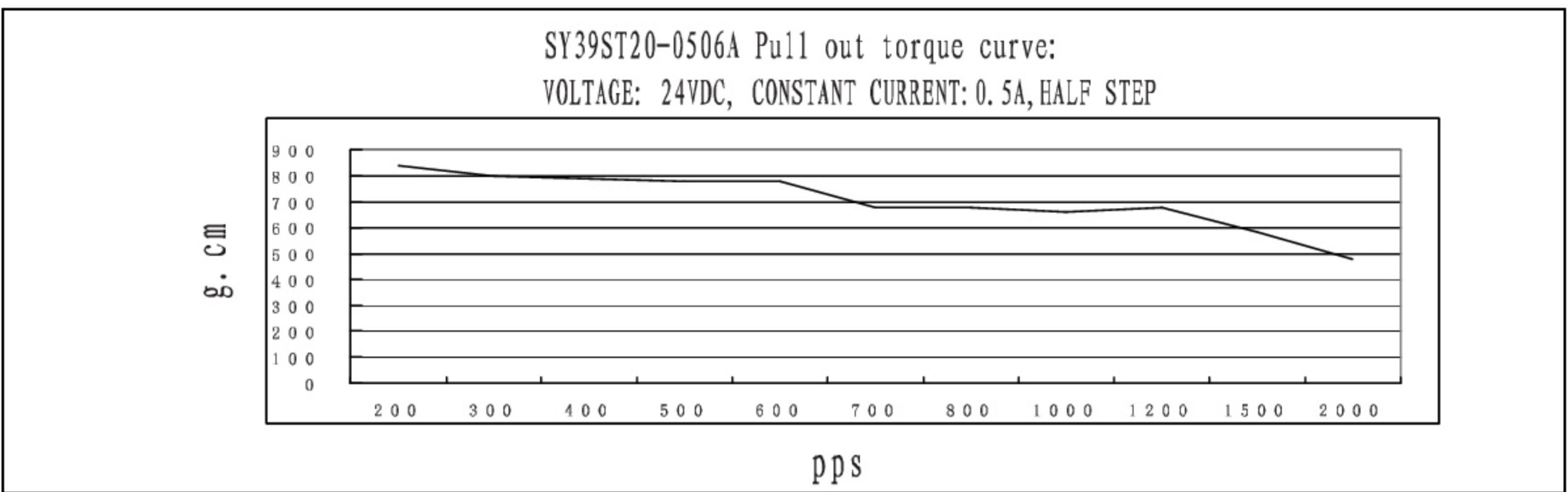
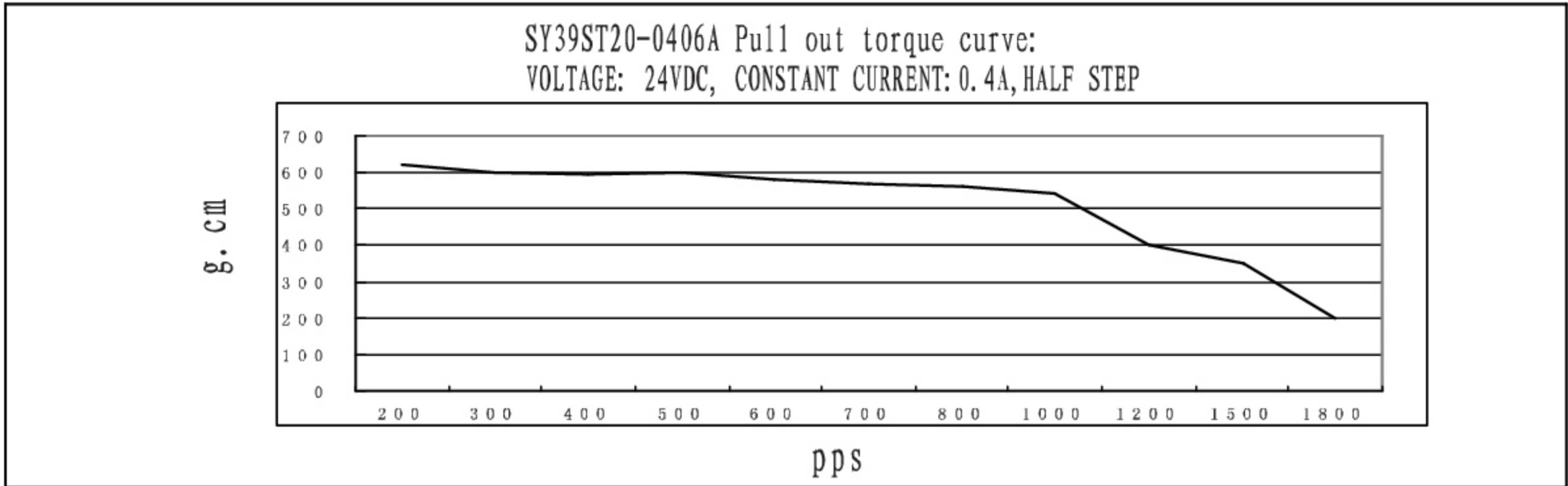
* Specifications

Model	Motor Codes	Voltage /Phase	Current /Phase	Resistance /Phase	Inductance /Phase	Holding Torque	NO. of Leads	Rotor Inertia	Weight	Length
Units		V	A	Ω	mH	N. cm		g. cm ²	Kg	mm
SY39ST20-0404A	040020000	2.64	0.4	6.6	7.5	6.5	4	11	0.12	20
SY39ST20-0506A	040020001	6.5	0.5	13	7.5	8.0	6	11	0.12	20
SY39ST34-0654A	040034000	4.55	0.6	7.0	9.3	18	4	20	0.21	34
SY39ST34-0306A	040034003	12	0.3	40	20	13	6	20	0.21	34
SY39ST38-0504A	040038000	12	0.5	24	45	29	4	24	0.25	38
SY39ST38-0806A	040038001	6	0.8	7.5	6.0	20	6	24	0.25	38
SY39ST44-0304A	040044000	12	0.3	42	80	30	4	40	0.26	44

* Dimension



● Pull out torque curve:



● Pull out torque curve:

