

49TYD-375-2 永磁交流同步电机 AC Permanent Magnet Synchronous Motor



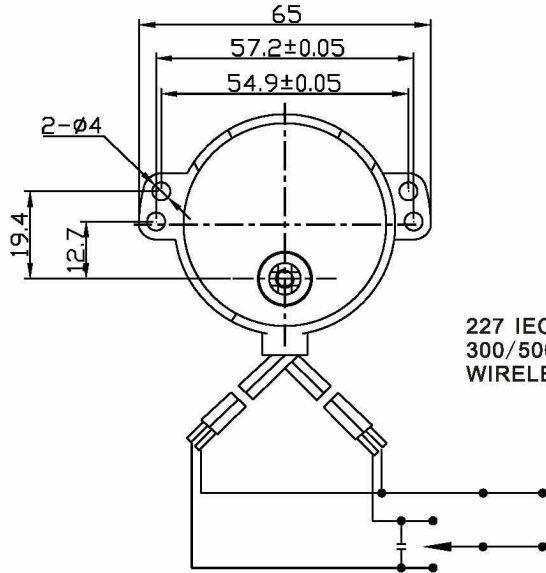
电压/Main voltage: 12VAC、24VAC、110VAC、115VAC、220VAC、240VAC

用途/Typical applications: 办公设备、光学仪器、自动控制设备、聚光灯、礼品玩具、录音机、空调、微波炉、展示柜、通风设备、电动风机、家用电器、压膜机、烤炉、电子定时器、洗衣机定时器 Office Machines、CCTV Scanner&Pan/Tilt Units、Automatic Control Machines、Spotlights、Toys and Presents、Recorders、Air Conditioner、Micro Wave Ovens、Display Stand、Ventilating、Electric fans、Household Electrics、Laminator、Oven、Electronic Timer、Washing machine timer、Other household appliances.

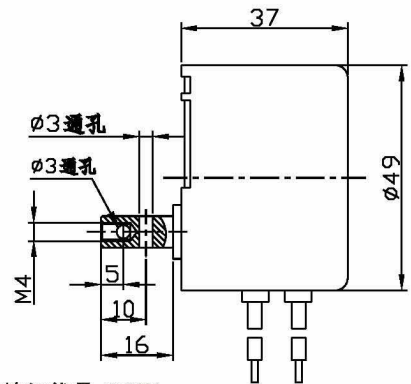
重量/Weight: 210~250g pcs approx

包装外形尺寸/Packing details: CTN size: 33X33XH30cm 100pcs/CTN G.W.24kgs

外形尺寸 APPEARANCE SIZE



227 IEC 06 RV
300/500V 0.33mm²
WIRELENGTH: 180mm



两条白线接红线是 CCW;
when connect with double whitewire and red wire,
the direction of output shaft is CCW;

两条白线接黄线是 CW;
when connect with double whitewire and yellow
wire, the direction of output shaft is CW;

主要技术参数 Main technical data

型号 Model	49TYD-375-2											
参数 Tech.items												
额定电压 Related voltage (V)	AC24V、 AC120V、 AC220V											
频率 Frequency (Hz)	50/60											
转速 Speed (at50Hz) (r/min)	1	1.5	2.5	4	5	8	15	20	30	60	100	
扭矩 Torque (Kgf.cm)	40	30	15	12	10	7	4	3.1	2	1.2	0.5	
额定电流 Related current (mA)	≤30 (220V)			≤45 (120V)			≤220 (24V)					
输入功率 Input Power (W)	≤5											
噪音 Noise (dB)	40											
绝缘强度 Insulation strength	AC 1500V-1min cut off current :10mA											
泄漏电流 Leakage current	≤0.25mA											
绝缘电阻 Insulation resistance	500VDC ≥100MΩ											
转向 Direction of rotation	CW or CCW (Bi-directional controllable)											
包装 Package details	CTN: 33X33XH30cm				100pcs/CTN				N.W.23.5kg			

59TYD-375-2A 永磁交流同步电机 AC Permanent Magnet Synchronous Motor



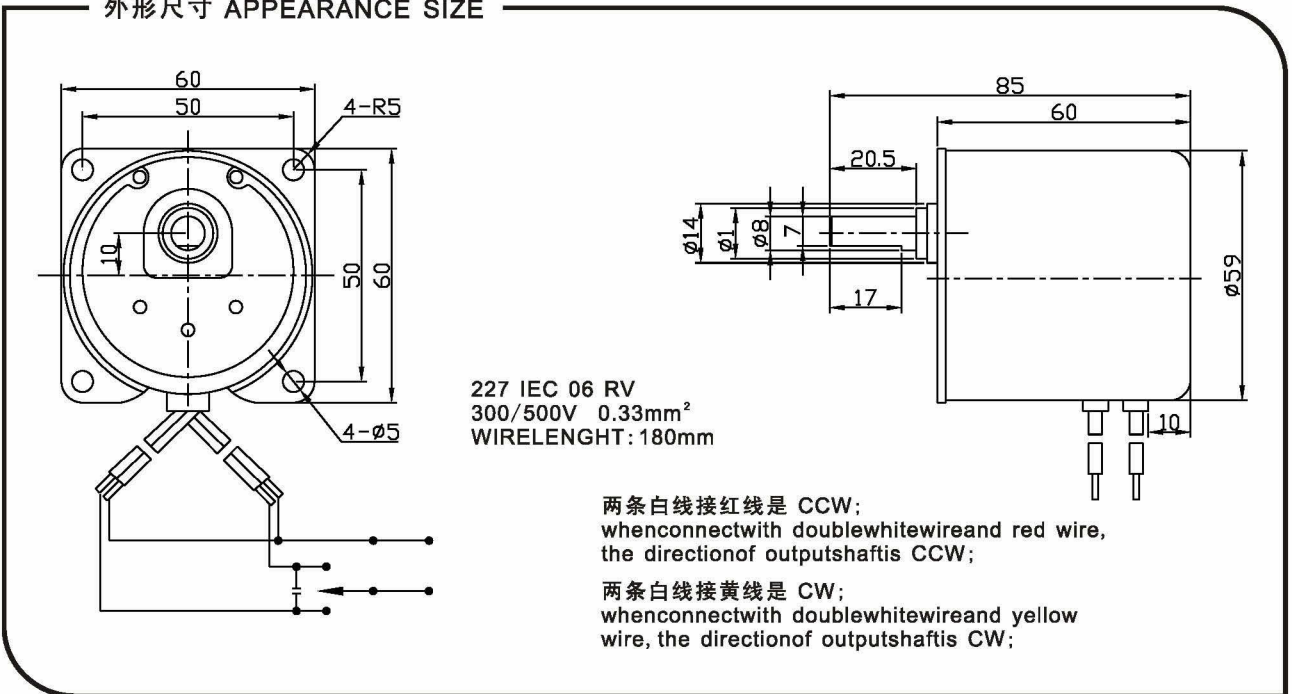
电压/Main voltage: 12VAC、24VAC、110VAC、115VAC、220VAC、240VAC

用途/Typical applications: 办公设备、光学仪器、自动控制设备、聚光灯、礼品玩具、录音机、空调、微波炉、展示柜、通风设备、电动风机、家用电器、压膜机、烤炉、电子定时器、洗衣机定时器 Office Machines、CCTV Scanner&Pan/Tilt Units、Automatic Control Machines、Spotlights、Toys and Presents、Recorders、Air Conditioner、Micro Wave Ovens、Display Stand、Ventilating、Electric fans、Household Electrics、Laminator、Oven、Electronic Timer、Washing machine timer、Other household appliances.

重量/Weight: 500~550g pcs approx

包装外形尺寸/Packing details: CTN size: 49X37XH18cm 40pcs/CTN G.W.23kgs

外形尺寸 APPEARANCE SIZE



主要技术参数 Main technical data

型号 Model	59TYD-375-2A					
参数 Tech.items						
额定电压 Related voltage (V)	AC24V、 AC120V、 AC220V					
频率 Frequency (Hz)	50/60					
转速 Speed (at50Hz) (r/min)	1.6	5.0	12	20	40	104
扭矩 Torque (Kgf.cm)	68	34	22	10	5	2.5
额定电流 Related current (mA)	≤55 (220V)		≤100 (120V)		≤400 (24V)	
输入功率 Input Power (W)	≤11					
噪音 Noise (dB)	42					
绝缘强度 Insulation strength	AC 1500V-1min cut off current : 10mA					
泄漏电流 Leakage current	≤0.25mA					
绝缘电阻 Insulation resistance	500VDC ≥100MΩ					
转向 Direction of rotation	CW or CCW (Bi-directional controllable)					
包装 Package details	CTN: 49X37XH18cm		40pcs/CTN		N.W.23kg	

59TYD-375-2B 永磁交流同步电机 AC Permanent Magnet Synchronous Motor



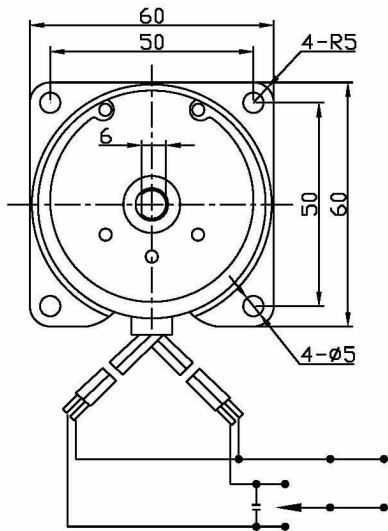
电压/Main voltage: 12VAC、24VAC、110VAC、115VAC、220VAC、240VAC

用途/Typical applications: 办公设备、光学仪器、自动控制设备、聚光灯、礼品玩具、录音机、空调、微波炉、展示柜、通风设备、电动风机、家用电器、压膜机、烤炉、电子定时器、洗衣机定时器 Office Machines、CCTV Scanner&Pan/Tilt Units、Automatic Control Machines、Spotlights、Toys and Presents、Recorders、Air Conditioner、Micro Wave Ovens、Display Stand、Ventilating、Electric fans、Household Electrics、Laminator、Oven、Electronic Timer、Washing machine timer、Other household appliances.

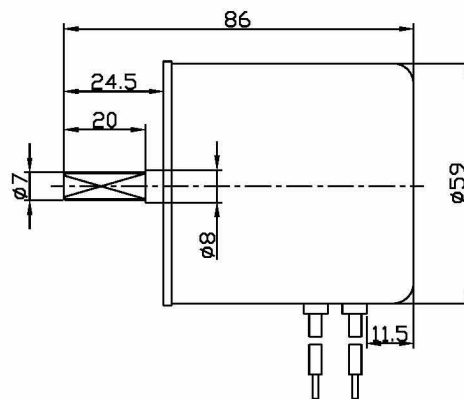
重量/Weight: 500~550g pcs approx

包装外形尺寸/Packing details: CTN size: 49X37XH18cm 40pcs/CTN G.W.23kgs

外形尺寸 APPEARANCE SIZE



227 IEC 06 RV
300/500V 0.33mm²
WIRELENGTH: 180mm



两条白线接红线是 CCW;
when connect with double whitewire and red wire,
the direction of output shaft is CCW;

两条白线接黄线是 CW;
when connect with double whitewire and yellow
wire, the direction of output shaft is CW;

主要技术参数 Main technical data

型号 Model	59TYD-375-2B					
参数 Tech.items						
额定电压 Related voltage (V)	AC24V、 AC120V、 AC220V					
频率 Frequency (Hz)	50/60					
转速 Speed (at50Hz) (r/min)	5.0	8.0	15	20	60	100
扭矩 Torque (Kgf.cm)	34	22	14	10	4	2.5
额定电流 Related current (mA)	≤55 (220V)		≤100 (120V)		≤400 (24V)	
输入功率 Input Power (W)	≤11					
噪音 Noise (dB)	42					
绝缘强度 Insulation strength	AC 1500V-1min cut off current : 10mA					
泄漏电流 Leakage current	≤0.25mA					
绝缘电阻 Insulation resistance	500VDC ≥100MΩ					
转向 Direction of rotation	CW or CCW (Bi-directional controllable)					
包装 Package details	CTN: 49X37XH18cm		40pcs/CTN		N.W.23kg	

49TYD-375-2 永磁交流同步电机 AC Permanent Magnet Synchronous Motor



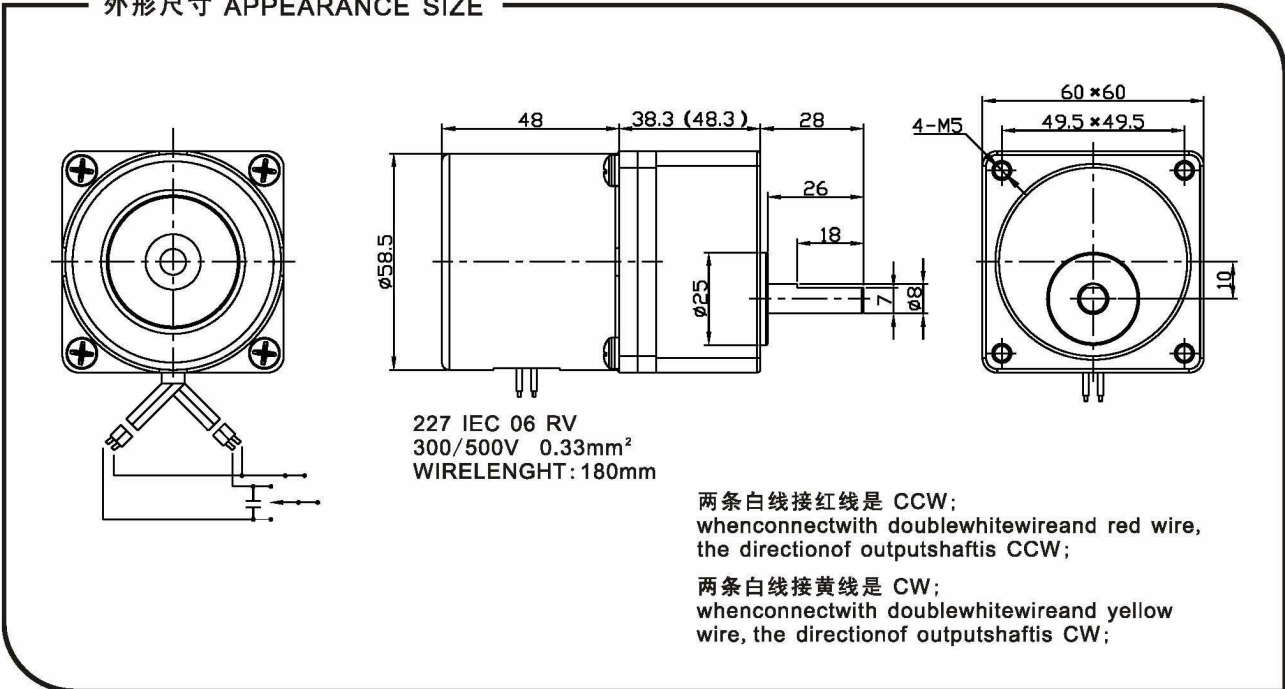
电压/Main voltage: 12VAC、24VAC、110VAC、115VAC、220VAC、240VAC

用途/Typical applications: 办公设备、光学仪器、自动控制设备、聚光灯、礼品玩具、录音机、空调、微波炉、展示柜、通风设备、电动风机、家用电器、压膜机、烤炉、电子定时器、洗衣机定时器 Office Machines、CCTV Scanner&Pan/Tilt Units、Automatic Control Machines、Spotlights、Toys and Presents、Recorders、Air Conditioner、Micro Wave Ovens、Display Stand、Ventilating、Electric fans、Household Electrics、Laminator、Oven、Electronic Timer、Washing machine timer、Other household appliances.

重量/Weight: 210~250g pcs approx

包装外形尺寸/Packing details: CTN size: 33X33XH30cm 100pcs/CTN G.W.24kgs

外形尺寸 APPEARANCE SIZE



主要技术参数 Main technical data

型号 Model	60KTYD											
参数 Tech.items												
额定电压 Related voltage (V)	AC24V、 AC120V、 AC220V											
频率 Frequency (Hz)	50/60											
转速 Speed (at50Hz) (r/min)	0.7	1.0	1.4	2.1	3	4	6.5	9.3	12	20	28	37
扭矩 Torque (Kgf.cm)	100	100	100	100	80	60	40	25	22	12	10	8
额定电流 Related current (mA)	≤70 (220V)				≤130 (120V)				≤630 (24V)			
输入功率 Input Power (W)	≤15											
噪音 Noise (dB)	42											
绝缘强度 Insulation strength	AC 1500V-1min cut off current : 10mA											
泄漏电流 Leakage current	≤0.25mA											
绝缘电阻 Insulation resistance	500VDC ≥100MΩ											
转向 Direction of rotation	CW or CCW (Bi-directional controllable)											
包装 Package details	CTN: 35X26XH19cm				10pcs/CTN				N.W.10kg			