

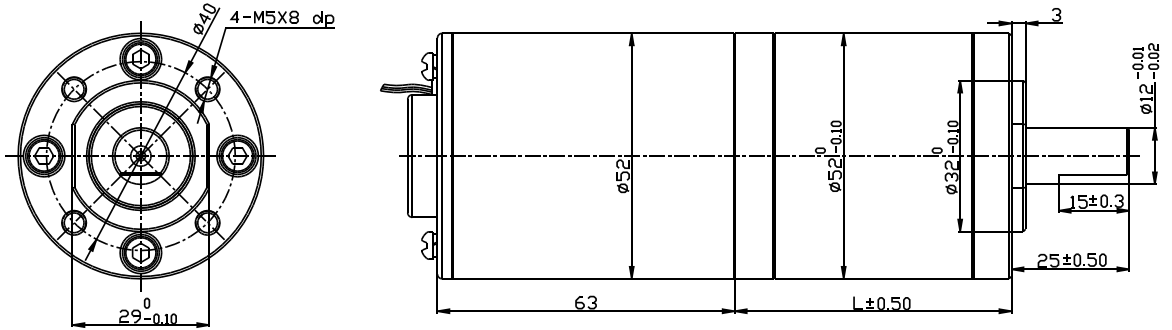
PG52MZY52



Typical applications:

Pan/Tilt cameras, Grill, Oven, Cleaning machine, Garbage disposers, Packing bank note machine, Coffee machine, Medical machine, Manostat, Amusement equipment, infusion pumps, Office equipment, Household appliances, Automatic actuator.

Appearance size



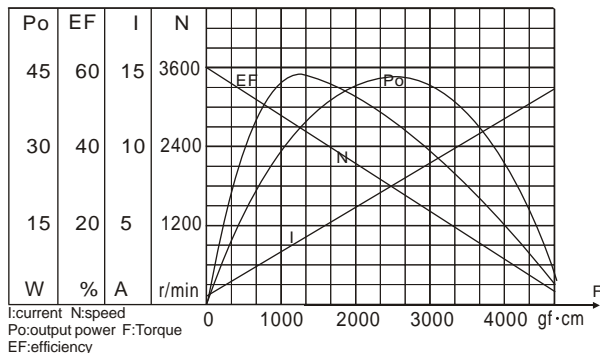
Gear Motor Torque/Speed

Reduction ratio		1/3.7	1/5.2	1/13.7	1/19.2	1/26.9	1/50.9	1/71.2	1/99.5	1/139	1/188	1/264	1/369	1/516	1/721	1/699	1/977	1/1367	1/1911	1/2672	1/3736	
12V	Rated torque (Kgf.cm)	4.0	5.62	13.3	18.7	26.1	44.6	62.4	80	80	80	80	80	80	80	80	80	80	80	80	80	80
	Rated speed (r/min)	730	519	197	141	100	53	38	27	19.4	14.4	10.2	7.4	5.3	3.8	3.9	2.8	2.0	1.5	1.1	0.8	
24V	Rated torque (Kgf.cm)	4.0	5.62	13.3	18.7	26.1	44.6	62.4	80	80	80	80	80	80	80	80	80	80	80	80	80	80
	Rated speed (r/min)	730	519	197	141	100	53	38	27	19.4	14.4	10.2	7.4	5.3	3.8	3.9	2.8	2.0	1.5	1.1	0.8	
Gearbox "L" mm		35.5		47.1			50.5				70.3				81.9							

Motor Data

Rated volt(V)	Rated torque (g-cm)	Rated speed (rpm)	Rated current (mA)	No load speed (rpm)	No load current (mA)	Rated output (w)	Weight (g)
12	1200	2700	≤4100	3600	≤700	32	580
24	1200	2700	≤2000	3600	≤400	32	580

52ZY-12V-3600r/min Characteristics



52ZY-24V-3600r/min Characteristics

