

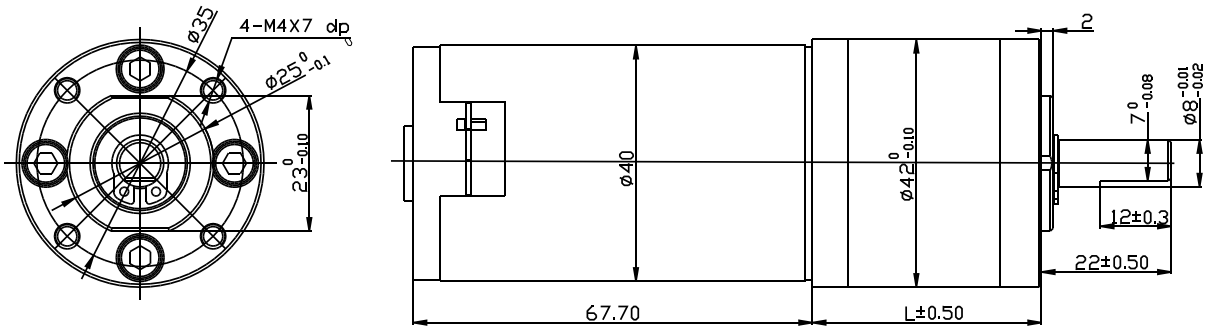
PG42MZY40



Typical applications:

Auto shutter, Pan/Tilt camera, Slot machine, Money detector, Coin refund devices, Currency count machine, Towel dispensers, Automatic doors, Peritoneal machine, Automatic TV rack, Office equipment, Household appliances, Automatic actuator.

Appearance size



Gearbox data:

Number of stages	1 stages reduction	2 stages reduction	3 stages reduction	4stages reduction	5stages reduction
Reduction ratio	3.7, 5.2	13.7, 19.2, 26.9	50.9, 71.2, 99.5, 139,	188, 264, 369, 516, 721,	699, 977, 1367, 1911, 2672, 3736,
Gearbox length "L" mm	26.4	32.6	38.9	45.3	52.5
Max. Running torque	3.0Kgf · cm	6.0Kgf · cm	8.0Kgf · cm	12Kgf · cm	20Kgf · cm
Max. Gear breaking torque	9.0Kgf · cm	18Kgf · cm	24Kgf · cm	36Kgf · cm	60Kgf · cm
Gearing efficiency	90%	81%	73%	65%	59%

Motor data:

Motor name	Rated Volt. V	No load		Load torque				Stall torque	
		Current	Speed	Current	Speed	Torque	Output power	Torque	Current
		mA	r/min	mA	r/min	gf · cm	W	gf · cm	A
40ZY123000	12	≤120	3000	≤750	2200	220	4.8	900	2.8
40ZY124500	12	≤190	4500	≤1500	3300	300	9.9	1200	6.0
40ZY126000	12	≤250	6000	≤3000	4500	400	18.0	1600	10
40ZY243000	24	≤80	3000	≤400	2200	220	4.8	900	1.5
40ZY244500	24	≤120	4500	≤800	3300	300	9.9	1200	3.0
40ZY246000	24	≤160	6000	≤1500	4500	400	18.0	1600	5.5

- 1、 Please refer to motor 40ZY for the motorgraph.
- 2、 After connecting motor and gearbox which is named gearmotor the output torque: motor torque X reduction ratio X gearing efficiency; output speed: motor speed / reduction ratio.

NOTE:

- 1、 Gearmotor named methods: e.g. PG42M40123000-99.5K Motor please refer to the motor data 40ZY123000. Gearbox please refer to gearbox data reduction ratio 99.5. Related to gearmotor output speed and torque please refer to motor data.
- 2、 Motor can be installed with magnetic encoder.
- 3、 Standard output shaft after reducing: F8.0mm. other sizes of the output shaft can make as client request.
- 4、 Chart only for reference, products shall prevail the entity.