

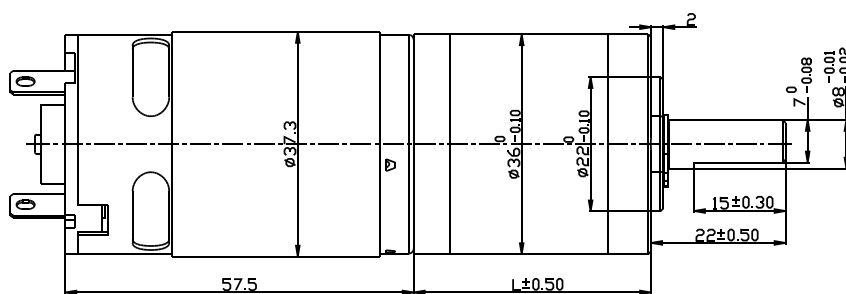
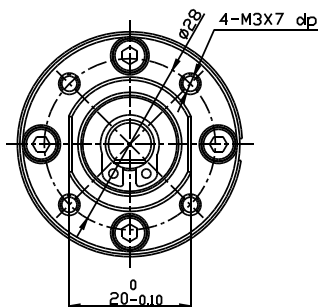
PG36M555



Typical applications:

Auto shutter, Pan/Tilt camera, Slot machine, Money detector, Coin refund devices, Currency count machine, Towel dispensers, Automatic doors, Peritoneal machine, Automatic TV rack, Office equipment, Household appliances, Automatic actuator

Appearance size



Gear Motor Torque/Speed

Number of stages	1 stages reduction	2 stages reduction	3 stages reduction	4stages reduction	5stages reduction
Reduction ratio	3.7, 5.2	13.7, 19.2, 26.9	50.9, 71.2, 99.5, 139,	188, 264, 369, 516, 721,	699, 977, 1367, 1911, 2672, 3736,
Gearbox length "L" mm	26.4	32.6	38.9	45.3	52.5
Max. Running torque	3.0Kgf • cm	6.0Kgf • cm	8.0Kgf • cm	12Kgf • cm	20Kgf • cm
Max. Gear breaking torque	9.0Kgf • cm	18Kgf • cm	24Kgf • cm	36Kgf • cm	60Kgf • cm
Gearing efficiency	90%	81%	73%	65%	59%

Motor data

Motor name	Rated Volt. V	No load		Load torque				Stall torque	
		Current	Speed	Current	Speed	Torque	Output power	Torque	Current
		mA	r/min	mA	r/min	gf • cm	W	gf • cm	mA
RS-555123000	12	≤140	3000	≤800	2200	150	3.3	600	3000
RS-555124500	12	≤220	4500	≤1200	3300	220	7.2	880	4800
RS-555126000	12	≤350	6000	≤2000	4500	300	13.5	1200	6000
RS-555243000	24	≤70	3000	≤400	2200	150	3.3	600	1600
RS-555244500	24	≤110	4500	≤600	3300	220	7.2	880	3000
RS-555246000	24	≤180	6000	≤1000	4500	300	13.5	1200	4000

1. Please refer to motor RS-555 for the motor graph.
2. After connecting motor and gearbox which is named gearmotor the output torque: motor torque X reduction ratio X gearing efficiency; output speed: motor speed / reduction ratio.

NOTE

1. Gearmotor named methods: e.g. SG-555123000-99.5K Motor please refer to the motor data RS-555123000 Gearbox please refer to gearbox data reduction ratio 99.5. Related to gearmotor output speed and torque please refer to motor data.
2. Motor can be installed with magnetic encoder.
3. Standard output shaft after reducing F8.0mm. other sizes of the output shaft can make as client request.
4. Chart only for reference, products shall prevail the entity.