

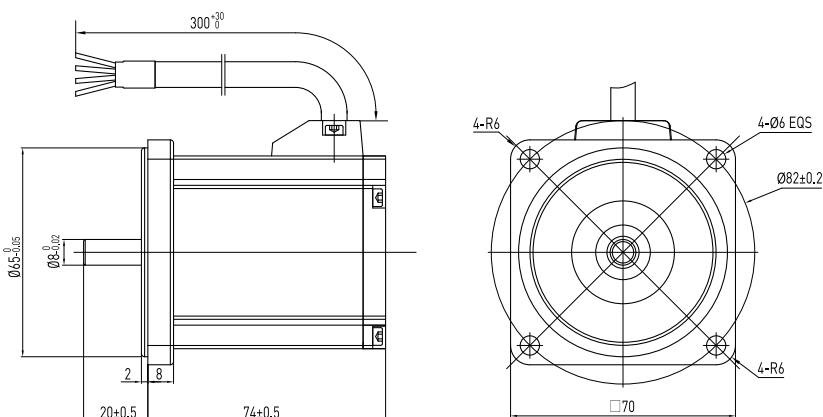
# BC SERIES 7060



## 60电机参数 60 MOTOR DATA

电机型号 Type	电压 Voltage	额定功率 Power	额定扭矩 Rated Torque	空载转速 No load Speed	空载电流 No load Current	负载转速 Rated Speed	负载电流 Rated Current	有否 Hall(Y/N)	电机寿命 Life(Hours)	机身长度 Length	内驱 Internal Drive	电机重量 Weight
BC601520S12	12V	15W	0.072N.M	2800RPM	< 0.8A	2000RPM	1.56A	Both	> 5000	59mm	YES	800g
BC601520S24	24V	15W	0.072N.M	2800RPM	< 0.5A	2000RPM	0.78A	Both	> 5000	59mm	YES	800g
BC601520S310	310V	15W	0.072N.M	2700RPM	< 0.3A	2000RPM	0.06A	Both	> 5000	59mm	YES	800g
BC603020S12	12V	30W	0.143N.M	2800RPM	< 0.9A	2000RPM	3.13A	Both	> 5000	64mm	YES	900g
BC603020S24	24V	30W	0.143N.M	2800RPM	< 0.5A	2000RPM	1.56A	Both	> 5000	64mm	YES	900g
BC603020S310	310V	30W	0.143N.M	2700RPM	< 0.3A	2000RPM	0.12A	Both	> 5000	64mm	YES	900g
BC606020S24	24V	60W	0.287N.M	2800RPM	< 0.5A	2000RPM	3.13A	Both	> 5000	74mm	YES	1200g
BC606020S310	310V	60W	0.287N.M	2700RPM	< 0.3A	2000RPM	0.24A	Both	> 5000	74mm	YES	1200g

## 尺寸图 DIMENSIONAL DRAWING



## 70齿轮箱 70 GEAR BOX

容许力矩单位 Allowance Torque Unit: N.m

减速比 Reduction Ratio		3	3.6	5	6	7.5	9	10	12.5	15	18	20	25	30	36	40	50	60	75	90	100	120	150	180	200
输出轴转速 Output Speed	r/min	667	556	400	333	267	222	320	160	133	111	100	80	67	56	50	40	33	27	22	20	17	13	11	10
允许力矩 Allowable Torque	N.m	0.21	0.25	0.34	0.41	0.52	0.62	0.69	0.86	1.03	1.24	1.24	1.56	1.87	2.24	2.49	3.11	3.38	4.22	4.90	4.90	4.90	4.90	4.90	4.90

## 尺寸图 DIMENSIONAL DRAWING

