

# BC SERIES 10490

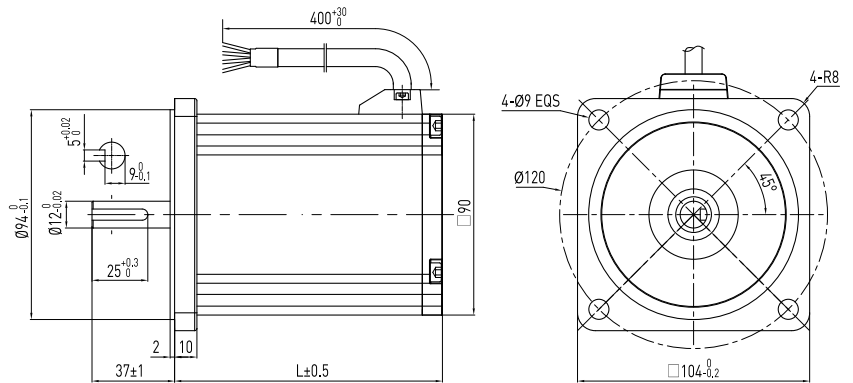


## 90电机参数 90 MOTOR DATA

电机型号 Type	电压 Voltage	额定功率 Power	额定扭矩 Rated Torque	空载转速 No load Speed	空载电流 No load Current	负载转速 Rated Speed	负载电流 Rated Current	有否 Hall(Y/N)	电机寿命 Life(Hours)	机身长度 Length	内驱 Internal Drive	电机重量 Weight
BC9010020S24	24V	100W	0.478N.M	2700RPM	< 0.6A	2000RPM	5.21A	Both	> 5000	75mm	NO	1700g
BC9010020S310	310V	100W	0.478N.M	2600RPM	< 0.4A	2000RPM	0.4A	Both	> 5000	75mm	NO	1700g
BC9020020S24	24V	200W	0.955N.M	2700RPM	< 0.8A	2000RPM	10.42A	Both	> 5000	90mm	NO	2100g
BC9020020S310	310V	200W	0.955N.M	2600RPM	< 0.6A	2000RPM	0.81A	Both	> 5000	90mm	NO	2100g
BC9040020S24	24V	400W	1.91N.M	2700RPM	< 1.8A	2000RPM	20.83A	Both	> 5000	105mm	NO	2300g
BC9040020S310	310V	400W	1.91N.M	2600RPM	< 1.2A	2000RPM	1.61A	Both	> 5000	105mm	NO	2300g

## 尺寸图

### DIMENSIONAL DRAWING



## 104齿轮箱 104 GEAR BOX

容许力矩单位 Allowance Torque Unit: N.m

减速比 Reduction Ratio		3	3.6	5	6	7.5	9	10	12.5	15	18	20	25	30	36	40	50	60	75	90	100	120	150
输出轴转速 Output Speed	r/min	500	417	300	250	200	166	150	120	100	83	75	60	50	41	37	30	25	20	16	15	12	10
允许力矩 Allowable Torque	N.m	2.06	2.48	3.44	4.13	5.16	6.19	6.19	7.75	9.30	11.2	11.2	14.0	16.8	20.0	22.4	28.0	33.6	39.2	39.2	39.2	39.2	39.2

## 尺寸图

### DIMENSIONAL DRAWING

