

■ 选购配件 ACCESSORIES

● 电动机·减速器用安装底座 Motor/Gearhead Mounting Brackets

便于安装固定电动机、减速器的专用安装底座。为可对应大功率电动机、减速器的高强度型产品。安装底座上钻有螺孔，请用减速器附属的螺丝来组合电动机与减速器。安装电动机单体时，请另备安装用螺丝。

Eight kinds of mounting brackets for motors and gearheads are Available. They are high-strength type, which can be used with high Power motors/gearheads. These brackets come with tapped. To mount the motor and gearhead, simply fasten with the screws provided to the gearhead, To mount the motor alone, mounting screws must be provided separately.

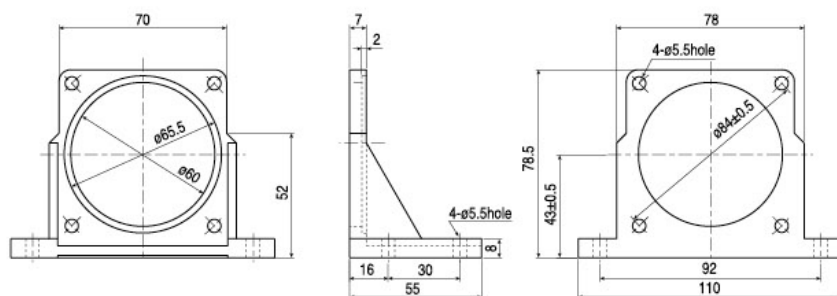


● 安装尺寸70mm用 Motor Frame Size: 70mm

型号Model: ZD3M5 重量: 160g 材质Material: 铝合金Aluminum

适用产品Applicable Products: 3GN减速器3GN Gearhead

安装尺寸□70mm电动机Motor with the frame size of □70mm

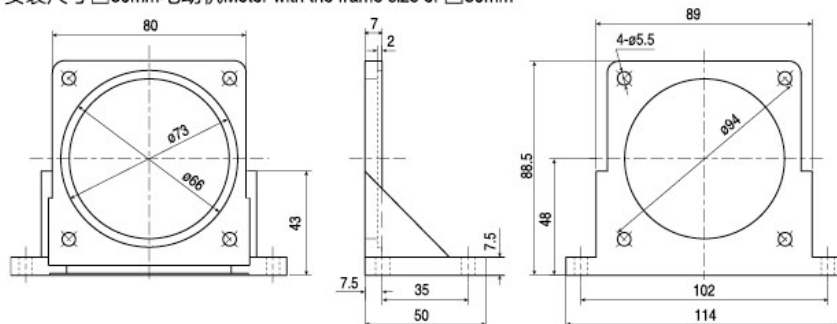


● 安装尺寸80mm用 Motor Frame Size: 80mm

型号Model: ZD4M5 重量: 200g 材质Material: 铝合金Aluminum

适用产品Applicable Products: 4GN减速器4GN Gearhead

安装尺寸□80mm电动机Motor with the frame size of □80mm



● 安装尺寸90mm用 Motor Frame Size: 90mm

型号Model: ZD5M5 重量: 270g 材质Material: 铝合金Aluminum

适用产品Applicable Products: 5GN、5GU减速器5GN、5GU、Gearhead

安装尺寸□90mm电动机Motor with the frame size of □90mm

