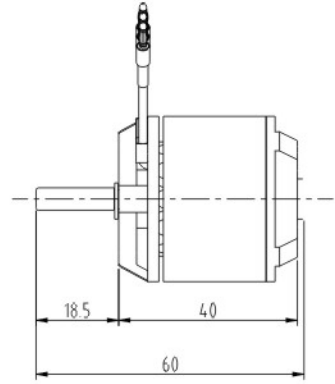
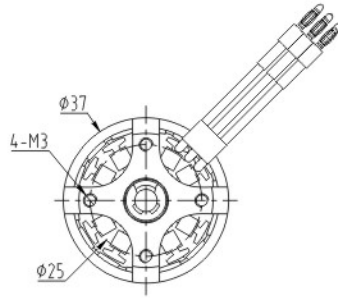
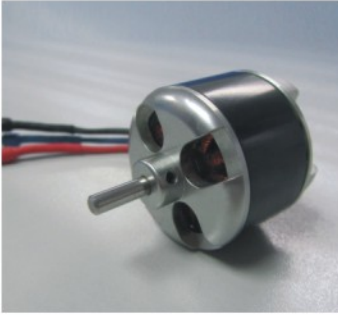


∅ 37mm Brushless Dc Motor Outrunner



AE3720	UNIT	001	002	003	004
RATED VOLTAGE(额定电压)	V/DC	12	36		
RATED SPEED(额定转速)	RPM	12300	19800		
NO LOAD SPEED(空载转速)	RPM	14400	21500		
NO LOAD CURRENT (空载电流)	A	3	1.3		
RATED CURRENT (额定电流)	A	23.5	8		
RATED TORQUE (额定转矩)	N.M	0.168	0.11		
MAX EFFICIENCY (最大效率)	%	78	82		
RESISTANCE PHASE TO PHASE	OHM	0.018	0.06		
TORQUE CONSTANT (转矩常数)	N.m/A	0.008	0.016		
SPEED CONSTANT (速度常数)	rpm/V	1200	600		
ROTOR INERTIA(转动惯量)	Kg.cm ²	0.42	0.42		

SPECIFICATION

AMBIENT TEMPERATURE RANGE	-20~+45°C
MAX PERMISSIBLE WINDING TEMPERATURE	85°C
MAX PERMISSIBLE SPEED	25000RPM
MAX AXIAL LOAD	8N
MAX RADIAL LOADING	15NN
NUMBER OF THE POLE PAIR	7
WEIGHT OF MOTOR	150G