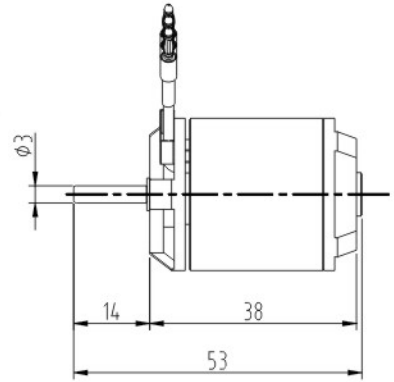
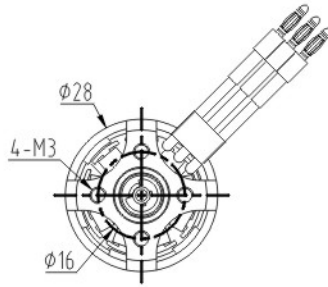
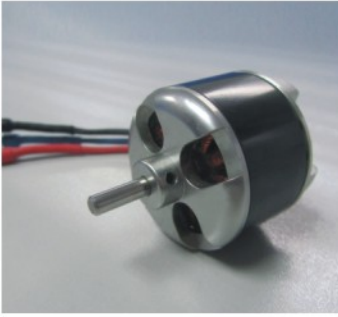


## Ø 28mm Brushless Dc Motor Outrunner



AE2820	UNIT	001	002	003	004
RATED VOLTAGE(额定电压)	V/DC	12			
RATED SPEED(额定转速)	RPM	8000			
NO LOAD SPEED(空载转速)	RPM	10000			
NO LOAD CURRENT (空载电流)	A	0.4			
RATED CURRENT (额定电流)	A	8			
RATED TORQUE (额定转矩)	N.M	0.088			
MAX EFFICIENCY (最大效率)	%	79			
RESISTANCE PHASE TO PHASE	OHM	0.29			
TORQUE CONSTANT (转矩常数)	N.m/A	0.011			
SPEED CONSTANT (速度常数)	rpm/V	850			
ROTOR INERTIA(转动惯量)	Kg.cm <sup>2</sup>	0.32			

### SPECIFICATION

AMBIENT TEMPERATURE RANGE	-20~+45°C
MAX PERMISSIBLE WINDING TEMPERATURE	85°C
MAX PERMISSIBLE SPEED	15000RPM
MAX AXIAL LOAD	6N
MAX RADIAL LOADING	12N
NUMBER OF THE POLE PAIR	4
WEIGHT OF MOTOR	75G