

# 译码器 (Encoders) MY-3237D

- 双向霍尔作用译码器  
Two Channel Hall Effect Encoder
- ★ 使用相对湿度: 20%~85%RH  
Operating relative humidity
- ★ 使用温度范围: -40°C~+85°C  
Operating temperature range



## 外形尺寸 APPEARANCE SIZE

接口:  
JST XHR-6  
P=2.5-6P

Two Channel Encoder  
Connections:

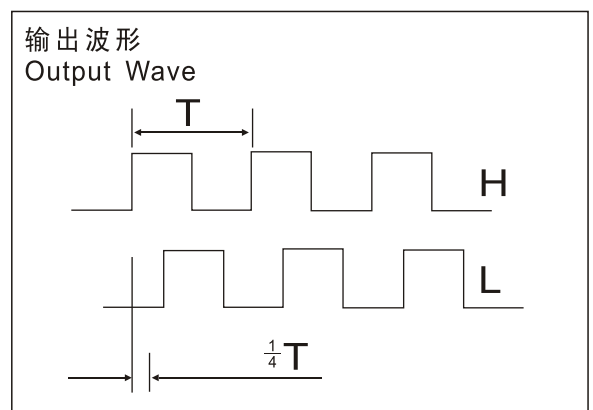
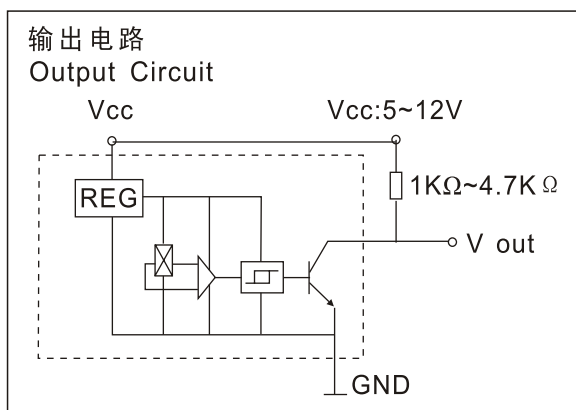
1. HALL SENSOR A Vout
2. HALL SENSOR B Vout
3. HALL SENSOR GND
4. HALL SENSOR Vcc
5. NC
6. NC

\*此译码器主要安装在步进电机, 空芯杯电机, 钢管电机上。  
The encoder mainly install on the Stepping Motor, Coreless Motor, Tube Motor  
\*每周输出24PPR, 30PPR  
Each turn output 24PPR, 30PPR

## 电气特性 ELECTRICAL CHARACTERISTICS

At  $V_s=4.5V$  to  $24V$  with  $20mA$  load with  $T_a=-40^{\circ}C$  to  $125^{\circ}C$  [ $-40^{\circ}F$  to  $257^{\circ}F$ ] unless otherwise noted.

规格特性 CHARACTERISTICS	代号 SYMBOL	测试条件 TEST CONDITIONS	极小 MIN	基本 REF	最大 MAX	UNITS
输入电压 Supply Voltage	Vcc	---	4.5	--	24	V
输入电流 Supply Current	Icc	---	--	14	20	mA
输出电流 Output Current	Ic	Vce=12V; Gauss<-170	--	<0.1	20	mA
输出漏电流 Output Leakage Current	Icex	Output open; 25°C [77°F]	--	--	10	μA
输出上升时间 Output Rise Time	Tr	RL=820Ω; CL=20pF; 25°C	--	0.5	1.5	μS
输出下降时间 Output Fall Time	Tf	RL=820Ω; CL=20pF; 25°C	--	0.2	1.5	MS



# 译码器 (Encoders) MY-28

- 双向霍尔作用译码器  
Two Channel Hall Effect Encoder
- ★ 使用相对湿度: 20%~85%RH  
Operating relative humidity
- ★ 使用温度范围: -40°C~+85°C  
Operating temperature range



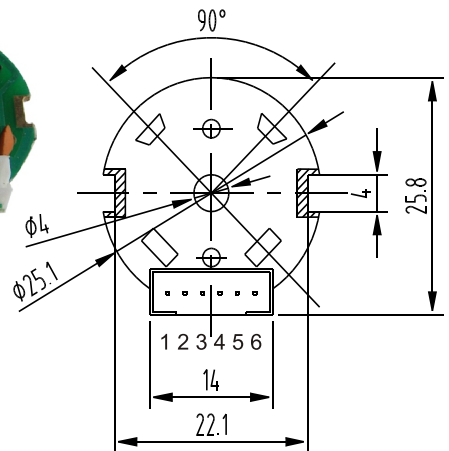
## 外形尺寸 APPEARANCE SIZE



接口:  
JST PHR-6  
P=2.0-6P

- Two Channel Encoder Connections:
1. MOTOR-
  2. MOTOR+
  3. HALL SENSOR Vcc
  4. HALL SENSOR GND
  5. HALL SENSOR A Vout
  6. HALL SENSOR B Vout

\*此译码器主要安装在RS-385、395电机上。  
\*The encoder mainly install on the Motor of RS-385、395  
\*每周输出3PPR, 7PPR, 12PPR, 13PPR  
\*Each turn output 3PPR,7PPR,12PPR,13PPR

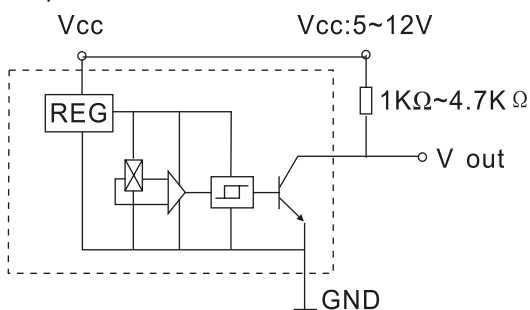


## 电气特性 ELECTRICAL CHARACTERISTICS

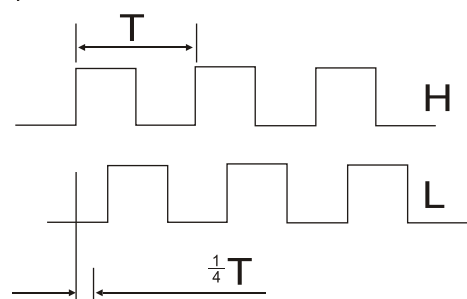
At  $V_s=4.5V$  to  $24V$  with  $20mA$  load with  $T_a=-40^{\circ}C$  to  $125^{\circ}C$  [ $-40^{\circ}F$  to  $257^{\circ}F$ ] unless otherwise noted.

规格特性 CHARACTERISTICS	代号 SYMBOL	测试条件 TEST CONDITIONS	极小 MIN	基本 REF	最大 MAX	UNITS
输入电压 Supply Voltage	Vcc	---	4.5	--	24	V
输入电流 Supply Current	Icc	---	--	14	20	mA
输出电流 Output Current	Ic	Vce=12V; Gauss<-170	--	<0.1	20	mA
输出漏电流 Output Leakage Current	Icex	Output open; 25°C [77°F]	--	--	10	μA
输出上升时间 Output Rise Time	Tr	RL=820Ω; CL=20pF; 25°C	--	0.5	1.5	μS
输出下降时间 Output Fall Time	Tf	RL=820Ω; CL=20pF; 25°C	--	0.2	1.5	MS

### 输出电路 Output Circuit



### 输出波形 Output Wave



# 译码器 (Encoders) MY-32

- 双向霍尔作用译码器  
Two Channel Hall Effect Encoder
- ★ 使用相对湿度: 20%~85%RH  
Operating relative humidity
- ★ 使用温度范围: -40°C~+85°C  
Operating temperature range



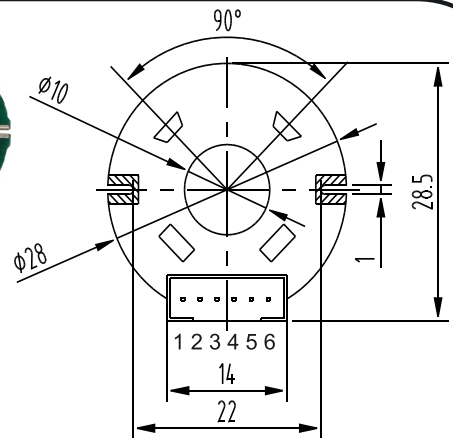
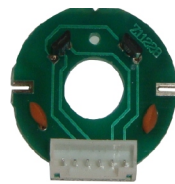
## 外形尺寸 APPEARANCE SIZE



接口:  
JST PHR-6  
P=2.0-6P

- Two Channel Encoder Connections:
1. MOTOR-
  2. MOTOR+
  3. HALL SENSOR Vcc
  4. HALL SENSOR GND
  5. HALL SENSOR A Vout
  6. HALL SENSOR B Vout

- \*此译码器主要安装在370电机上.
- \*The encoder mainly install on the Motor of 370
- \*每周输出3PPR, 7PPR, 12PPR, 13PPR
- \*Each turn output 3PPR,7PPR,12PPR,13PPR

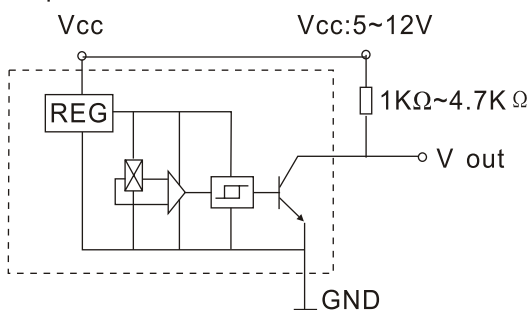


## 电气特性 ELECTRICAL CHARACTERISTICS

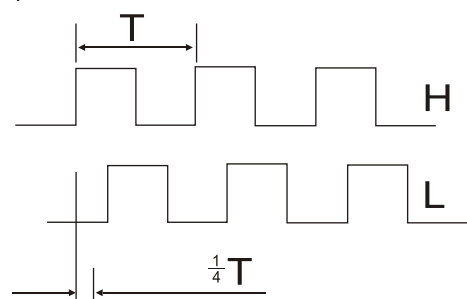
At  $V_s=4.5V$  to  $24V$  with  $20mA$  load with  $T_a=-40^{\circ}C$  to  $125^{\circ}C$  [ $-40^{\circ}F$  to  $257^{\circ}F$ ] unless otherwise noted.

规格特性 CHARACTERISTICS	代号 SYMBOL	测试条件 TEST CONDITIONS	极小 MIN	基本 REF	最大 MAX	UNITS
输入电压 Supply Voltage	Vcc	---	4.5	--	24	V
输入电流 Supply Current	Icc	---	--	14	20	mA
输出电流 Output Current	Ic	Vce=12V; Gauss<-170	--	<0.1	20	mA
输出漏电流 Output Leakage Current	Icex	Output open; 25°C [77°F]	--	--	10	μA
输出上升时间 Output Rise Time	Tr	RL=820Ω; CL=20pF; 25°C	--	0.5	1.5	μS
输出下降时间 Output Fall Time	Tf	RL=820Ω; CL=20pF; 25°C	--	0.2	1.5	MS

### 输出电路 Output Circuit



### 输出波形 Output Wave



# 译码器 (Encoders) MY-32

- 双向霍尔作用译码器  
Two Channel Hall Effect Encoder
- ★ 使用相对湿度: 20%~85%RH  
Operating relative humidity
- ★ 使用温度范围: -40°C~+85°C  
Operating temperature range



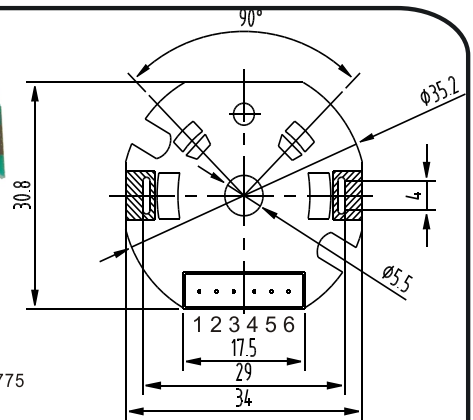
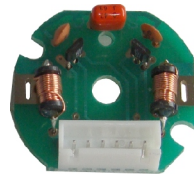
## 外形尺寸 APPEARANCE SIZE



接口:  
JST XHR-6  
P=2.5-6P

- Two Channel Encoder Connections:
1. MOTOR-
  2. MOTOR+
  3. HALL SENSOR Vcc
  4. HALL SENSOR GND
  5. HALL SENSOR A Vout
  6. HALL SENSOR B Vout

\*此译码器主要安装在RS-545、555、775电机上。  
\*The encoder mainly install on the Motor of RS-545、555、775  
\*每周输出3PPR, 7PPR, 12PPR, 13PPR  
\*Each turn output 3PPR,7PPR,12PPR,13PPR

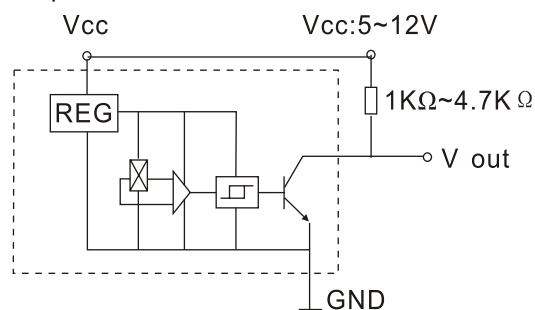


## 电气特性 ELECTRICAL CHARACTERISTICS

At  $V_s=4.5V$  to  $24V$  with  $20mA$  load with  $T_a=-40^{\circ}C$  to  $125^{\circ}C$  [ $-40^{\circ}F$  to  $257^{\circ}F$ ] unless otherwise noted.

规格特性 CHARACTERISTICS	代号 SYMBOL	测试条件 TEST CONDITIONS	极小 MIN	基本 REF	最大 MAX	UNITS
输入电压 Supply Voltage	Vcc	---	4.5	--	24	V
输入电流 Supply Current	Icc	---	--	14	20	mA
输出电流 Output Current	Ic	Vce=12V; Gauss<-170	--	<0.1	20	mA
输出漏电流 Output Leakage Current	Icex	Output open; 25°C [77°F]	--	--	10	μA
输出上升时间 Output Rise Time	Tr	RL=820Ω; CL=20pF; 25°C	--	0.5	1.5	μS
输出下降时间 Output Fall Time	Tf	RL=820Ω; CL=20pF; 25°C	--	0.2	1.5	MS

### 输出电路 Output Circuit



### 输出波形 Output Wave

